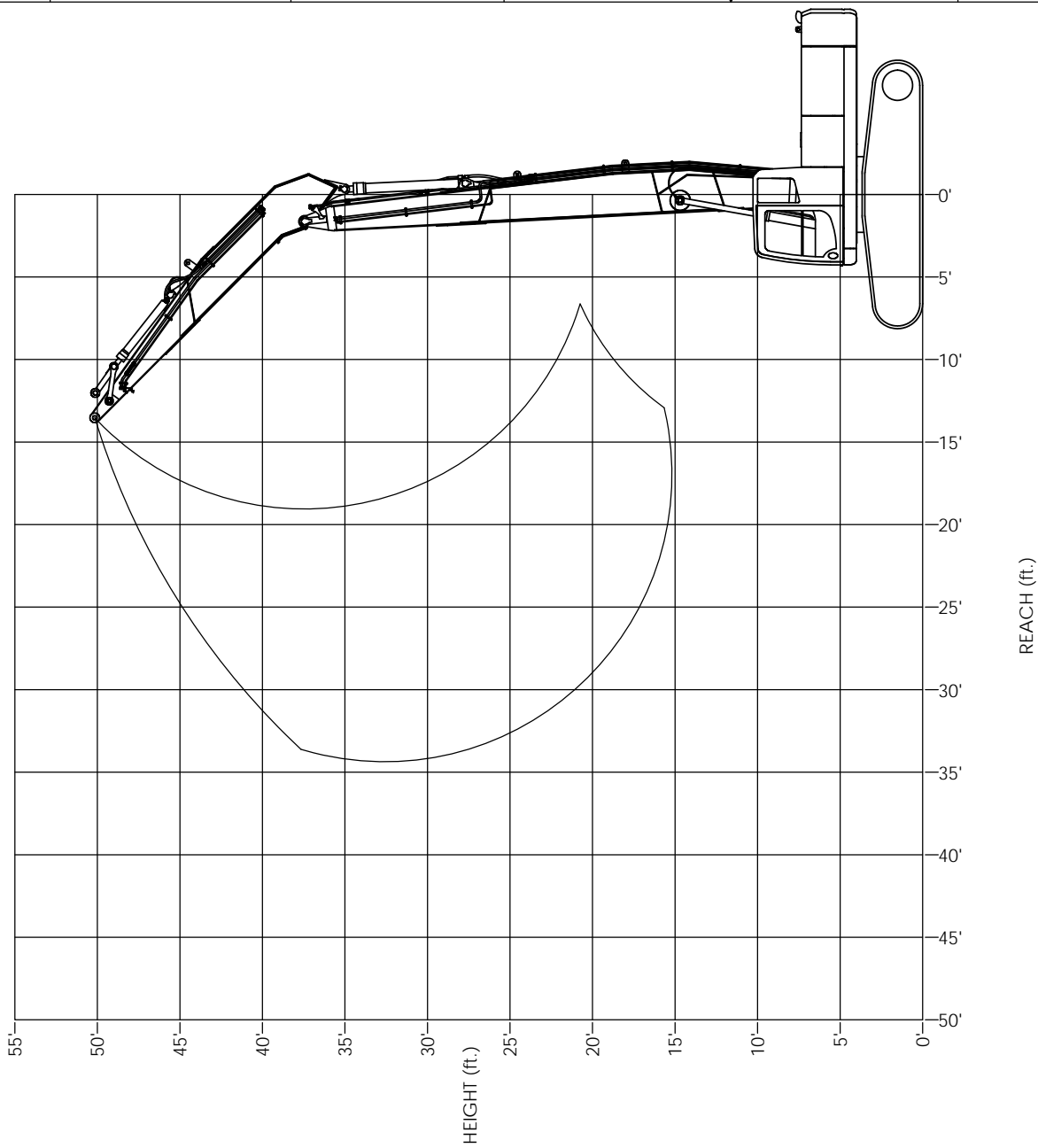


REVISIONS				
ZONE	REV.	DESCRIPTION	DATE	APPROVED



MATERIAL:		
DESIGN	SCALE	DATE
APPROVED	BY	12/12/11
REV.	DATE	


 4805 SCOOPY LANE NW  
 CARROLL, OHIO 43112  
 740-654-5304  
*The Cutting Edge of Customer Service*

PROFESSIONAL AND CONFIDENTIAL: THE INFORMATION CONTAINED IN THIS DRAWING IS THE SOLE PROPERTY OF COMPANY WRENCH, AND IS TO BE KEPT CONFIDENTIAL AND NOT REPRODUCED OR TRANSMITTED IN ANY FORM OR BY ANY MEANS, ELECTRONIC OR MECHANICAL, INCLUDING PHOTOCOPYING, RECORDING, OR BY ANY INFORMATION STORAGE AND RETRIEVAL SYSTEM, WITHOUT THE WRITTEN PERMISSION OF COMPANY WRENCH. SEE 10-10000.

UNLESS OTHERWISE SPECIFIED DIMENSIONS FOR PARTS ARE AS FOLLOWS:  
 DECIMAL: .0001"  
 FRACTIONAL: 1/16"  
 ANGLE: .1°  
 WEIGHT:

TITLE: **PC290LC-10 - 50' HIGH REACH RANGE**  
 SCALE: 1:40    SIZE: **D**    DWG./PART NO.: **OM10752-7**  
 SHEET 1 OF 1