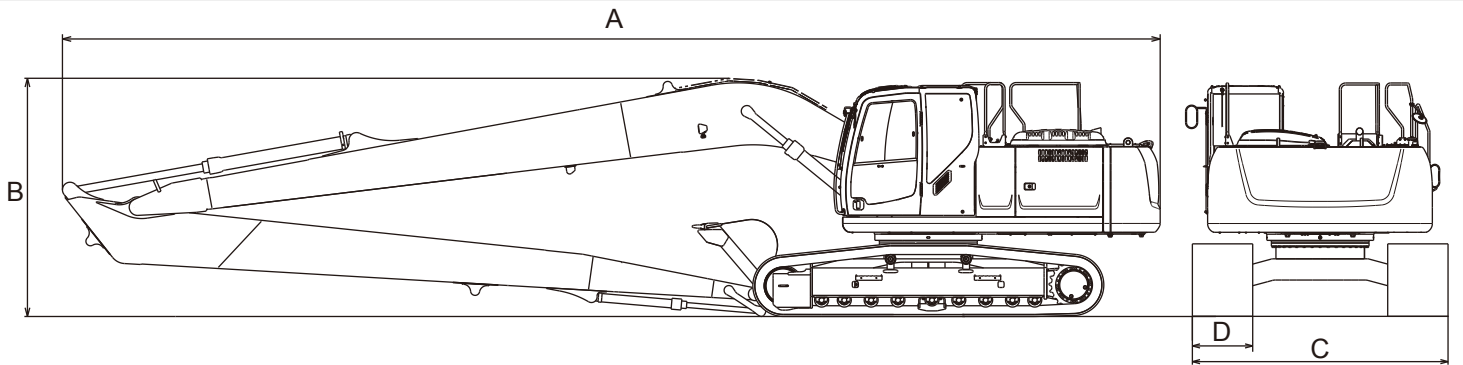


■ Main Specifications

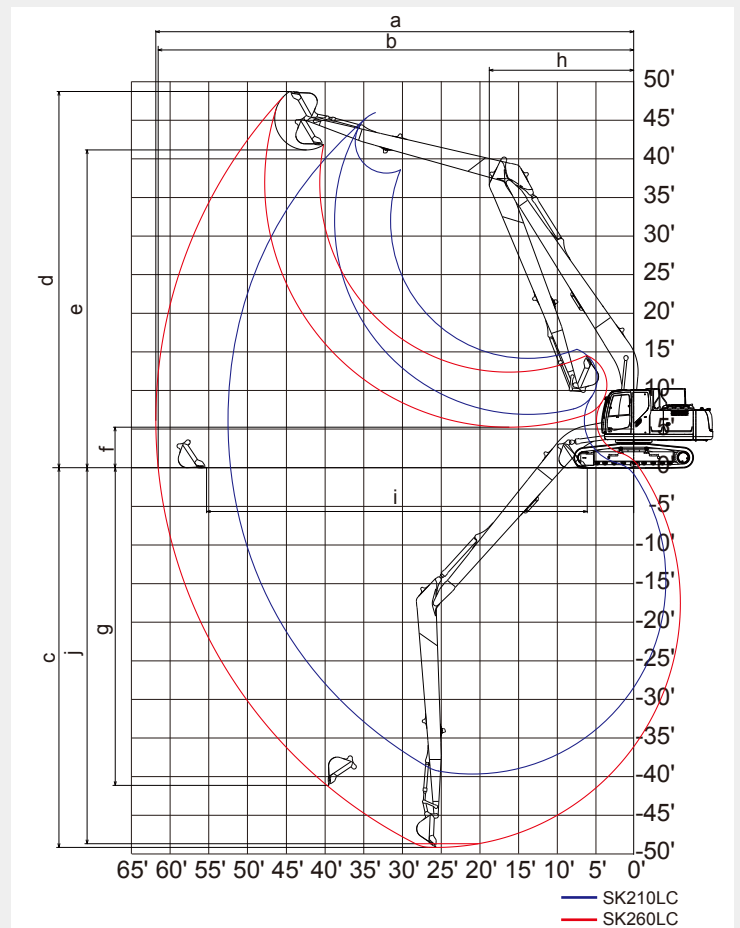


Model		SK210LC	SK260LC
Long reach attachment		50ft	60ft
Engine		HINO J05E-TI	HINO J05E-TI
Rated power output (SAE NET)	hp{kW} / rpm	157 {117} / 2,000	176{131} / 2,100
Swing speed	rpm	12.5	10.2
Operating weight	lbs {kg}	52,000 {23,600}	60,400 {27,400}
Ground pressure	psi {kPa}	5.4 {37}	6.0 {41}
A. Overall length	ft-in {mm}	41'6" {12,640}	47'8" {14,520}
B. Overall height	ft-in {mm}	10'2" {3,100}	10'4" {3,150}
C. Overall width	ft-in {mm}	10'5" {3,180}	11'1" {3,390}
D. Shoe width	ft-in {mm}	31.5" {800}	31.5" {800}

■ Working Ranges

Unit: ft-in

	SK210LC	SK260LC	
	50ft	60ft	
Boom	28'8"	33'11"	
Range	Arm	20'10"	27'1"
a- Max. digging reach	51'11"	60'10"	
b- Max. digging reach at ground level	51'7"	60'6"	
c - Max. digging depth	39'5"	48'4"	
d- Max. digging height	45'7"	47'10"	
e- Max. dumping clearance	37'10"	40'5"	
f - Min. dumping clearance	6'10"	5'2"	
g- Max. vertical wall digging depth	36'8"	40'5"	
h- Min. swing radius	15'6"	18'4"	
i - Horizontal digging stroke at ground level	38'1"	48'5"	
j - Digging depth for 2.4 m (8') flat bottom	39'1"	47'10"	
Bucket capacity SAE heaped cu.yd.	0.6	0.5	



LONG REACH ATTACHMENT

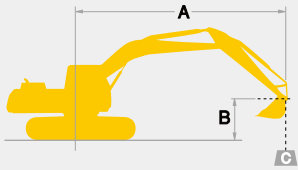
SK210_{LC}

SK210LC-9

SK260_{LC}

SK260LC-9

Lifting Capacities



Rating over front



Rating over side or 360 degrees

A – Reach from swing centerline for bucket hook

B – Bucket hook height above/below ground

C – Lifting capacities in pounds

SK210LC 50ft Boom; 28'8", Arm; 20'10", Bucket; 06cu.yd. SAE heaped 820 lbs, Counterweight; 12,800 lbs, Shoe; 31.5"

B	A	5'		10'		15'		20'		25'		30'		35'		40'		45'		At Max. Reach		Radius				
		Rating	Rating	Rating	Rating	Rating	Rating	Rating	Rating	Rating	Rating	Rating	Rating	Rating	Rating	Rating	Rating	Rating	Rating	Rating	Rating					
40'	lb																					* 1,630 * 1,630 33'10"				
35'	lb														* 3,000 * 3,000							* 1,460 * 1,460 38'3"				
30'	lb														* 3,860 * 3,860	* 2,350 * 2,350						* 1,360 * 1,360 41'7"				
25'	lb														* 4,440 * 4,440	* 3,420 * 3,420						* 1,320 * 1,320 44'2"				
20'	lb														* 4,830 * 4,830	* 4,180 * 4,180	3,910	* 2,060 * 2,060				* 1,320 * 1,320 46'0"				
15'	lb												* 5,750 * 5,750	* 5,750 * 5,750	* 5,220 * 5,220	4,930	* 4,830 * 4,830	3,740	* 2,940 * 2,940			* 1,350 * 1,350 47'2"				
10'	lb														* 6,440 * 6,440	6,090	* 5,660 * 5,660	4,610	* 5,110 * 5,110	3,530	* 3,570 * 3,570	2,700 * 1,420 * 1,420 47'11"				
5'	lb														* 5,270 * 5,270	* 5,270 * 5,270	* 16,000 * 16,000	15,510	* 11,170 * 11,170	10,380	* 8,650 * 8,650	7,470 * 7,130 * 5,600 * 6,120 * 4,290 * 5,410	* 4,010 * 2,560 * 1,530 * 1,530	48'0"		
GL	lb														* 5,010 * 5,010	* 5,010 * 5,010	* 12,620 * 12,620	* 12,620 * 12,620	* 12,550 * 12,550	9,330	* 9,560 * 9,560	6,810 * 7,740 * 5,160 * 6,530 * 3,990 * 5,450 * 3,120 * 4,180	2,440 * 1,680 * 1,680	47'8"		
-5'	lb	* 4,390 * 4,390	* 6,370 * 6,370	* 11,700 * 11,700	* 13,380 * 13,380	8,650	* 10,200 * 10,200	6,320	* 8,200 * 8,200	4,810	6,530	3,750	5,280	2,960	* 3,840 * 3,840	2,350	* 1,900 * 1,900	46'9"								
-10'	lb	* 6,280 * 6,280	* 8,190 * 8,190	* 12,750 * 12,750	12,660	* 13,670 * 13,670	8,290	10,460	6,010	7,990	4,580	6,350	3,580	5,170	2,850	* 2,560 * 2,560	2,300	* 2,210 * 2,210	45'3"							
-15'	lb	* 8,250 * 8,250	* 10,300 * 10,300	* 14,760 * 14,760	12,660	* 13,460 * 13,460	8,170	10,310	5,870	7,870	4,460	6,260	3,500	5,130	2,810								* 2,670 * 2,670	45'3"		
-20'	lb	* 10,360 * 10,360	* 12,730 * 12,730	* 16,890 * 16,890	12,870	* 12,750 * 12,750	8,230	* 10,030 * 10,030	5,870	7,860	4,460	6,280	3,510	* 3,860 * 3,860	2,880									* 3,370 * 3,370	40'3"	
-25'	lb	* 12,690 * 12,690	* 15,590 * 15,590	* 14,920 * 14,920	13,270	* 11,470 * 11,470	8,450	* 9,080 * 9,080	6,020	* 7,270 * 7,270	4,580	* 5,690 * 5,690	3,660											* 4,580 * 4,580	36'6"	
-30'	lb		* 16,130 * 16,130	* 12,030 * 12,030	* 12,030 * 12,030	* 9,410 * 9,410	8,850	* 7,410 * 7,410	6,330	* 5,640 * 5,640	4,880														* 5,900 * 5,900	31'6"
-35'	lb				* 7,700 * 7,700	* 6,020 * 6,020																			* 4,460 * 4,460	24'5"

SK260LC 60ft Boom; 33'11", Arm; 27'1", Bucket; 05cu.yd. SAE heaped 770 lbs, Counterweight; 15,400 lbs, Shoe; 31.5"

B	A	5'		10'		15'		20'		25'		30'		35'		40'		45'		50'		55'		At Max. Reach		Radius					
		Rating	Rating	Rating	Rating	Rating	Rating	Rating	Rating	Rating	Rating	Rating	Rating	Rating	Rating	Rating	Rating	Rating	Rating	Rating	Rating	Rating	Rating	Rating	Rating						
40'	lb																								* 1,370 * 1,370 45'8"						
35'	lb																									* 1,320 * 1,320 49'0"					
30'	lb																									* 1,300 * 1,300 51'7"					
25'	lb																									* 1,310 * 1,310 53'8"					
20'	lb																									* 1,350 * 1,350 55'2"					
15'	lb																									* 1,420 * 1,420 56'3"					
10'	lb																									* 1,520 * 1,520 56'9"					
5'	lb																									* 1,650 * 1,650 56'11"					
GL	lb	* 3,070 * 3,070	* 5,660 * 5,660	* 12,570 * 12,570	* 11,850 * 11,850	* 8,900 * 8,900	* 8,900 * 8,900	* 7,130 * 7,130	6,920	* 5,980 * 5,980	5,430	* 5,170 * 5,170	4,320	4,590	3,450	4,160	2,760	* 2,840 * 2,840	2,190	* 1,820 * 1,820	2,020	2,020	55'10"								
-5'	lb	* 4,450 * 4,450	* 6,270 * 6,270	* 10,720 * 10,720	13,180	11,030	* 9,880 * 9,880	8,170	* 7,850 * 7,850	6,320	6,510	5,000	* 5,580 * 5,580	4,000	4,900	3,220	* 4,380 * 4,380	2,600	2,650	2,090					* 2,040 * 2,040	55'10"					
-10'	lb	* 5,810 * 5,810	* 7,400 * 7,400	* 10,910 * 10,910	14,030	10,330	* 10,600 * 10,600	7,600	* 8,420 * 8,420	5,870	* 6,950 * 6,950	4,660	* 5,920 * 5,920	3,750	* 5,150 * 5,150	3,040	4,520	2,470								* 2,340 * 2,340	54'7"				
-15'	lb	* 7,200 * 7,200	* 8,750 * 8,750	* 11,890 * 11,890	14,470	9,970	* 11,040 * 11,040	7,250	* 8,810 * 8,810	5,580	* 7,280 * 7,280	4,420	* 6,170 * 6,170	3,570	5,250	2,910	4,440	2,390									* 2,750 * 2,750	52'10"			
-20'	lb	* 8,630 * 8,630	* 10,260 * 10,260	* 13,310 * 13,310	14,540	9,870	* 11,230 * 11,230	7,100	* 9,010 * 9,010	5,420	* 7,450 * 7,450	4,290	6,180	3,470	5,180	2,840	* 3,930 * 3,930	2,360									* 3,320 * 3,320	50'6"			
-25'	lb	* 10,120 * 10,120	* 11,910 * 11,910	* 15,070 * 15,070	14,270	9,950	* 11,140 * 11,140	7,100	* 9,000 * 9,000	5,390	* 7,450 * 7,450	4,260	6,170	3,450	5,190	2,850												* 4,180 * 4,180	47'7"		
-30'	lb	* 11,690 * 11,690	* 13,720 * 13,720	* 17,180 * 17,180	16,130	13,620	* 10,200 * 10,200	10,740	7,240	* 8,720 * 8,720	5,490	* 7,220 * 7,220	4,330	* 6,030 * 6,030	3,530														* 5,230 * 5,230	43'11"	
-35'	lb	* 13,330 * 13,330	* 15,690 * 15,690	* 16,460 * 16,460	12,540	10,600	* 9,960 * 9,960	7,520	* 8,100 * 8,100	5,700	* 6,660 * 6,660	4,530																	* 5,610 * 5,610	39'3"	
-40'	lb		* 17,810 * 17,810	* 14,040 * 14,040	* 10,840 * 10,840	* 8,650 * 8,650	7,970	* 6,970 * 6,970	6,080																					* 6,050 * 6,050	33'2"
-45'	lb																													* 6,550 * 6,550	24'7"

Notes:

- Do not attempt to lift or hold any load that is greater than these lift capacities at their specified lift point radius and heights. Weight of all accessories must be deducted from the above lift capacities.
- Lift capacities are based on machine standing on level, firm, and uniform ground. User must make allowance for job conditions such as soft or uneven ground, out of level conditions, side loads, sudden stopping of loads, hazardous conditions, experience of personnel, etc.
- Bucket lift hook is defined as lift point.
- The above lifting capacities are in compliance with SAE J/ISO 10567. They do not exceed 87 % of hydraulic lifting capacity or 75 % of tipping load. Lifting capacities marked with an asterisk (*) are limited by hydraulic capacity rather than tipping load.
- Operator should be fully acquainted with the Operator's and Maintenance Instructions before operating this machine. Rules for safe operation of equipment should be adhered to at all times.
- Lift capacities apply to only machines as originally manufactured and normally equipped by KOBELCO CONSTRUCTION MACHINERY CO., LTD.

Note: This catalog may contain attachments and optional equipment that are not available in your area. And it may contain photographs of machines with specifications that differ from those of machines sold in your areas. Please consult your nearest KOBELCO distributor for those items you require. Due to our policy of continuous product improvements all designs and specifications are subject to change without advance notice. Copyright by **KOBELCO CONSTRUCTION MACHINERY CO., LTD.** No part of this catalog may be reproduced in any manner without notice.

KOBELCO CONSTRUCTION MACHINERY U.S.A. INC.

4690 World Houston Parkway Houston, TX 77032
<http://www.kobelco-usa.com/>

Inquiries To: