

Engine	Cummins QSB6.7
Gross Power	144 kW (193 hp) @ 2,200 rpm
Net Power	136 kW (182 hp) @ 2,200 rpm
Operating Weight	15,000 kg
Standard Bucket Size	2.7 m ³
Standard Breakout Force	136 kN
Standard Dump Clearance	2,981 mm

842III WHEEL LOADER



TOUGH WORLD. TOUGH EQUIPMENT.

842III SPECIFICATIONS >>>

ENGINE	
Emission Regulation	Tier 3 / Stage IIIA
Make	Cummins
Model	QSB6.7
Gross Power	144 kW (193 hp) @ 2,200 rpm
Net Power	136 kW (182 hp) @ 2,200 rpm
Peak Torque	931 N · m @ 1,400 rpm
Displacement	6.7 L
Number of Cylinders	6
Aspiration	Turbocharged & Air-to-air intercooled

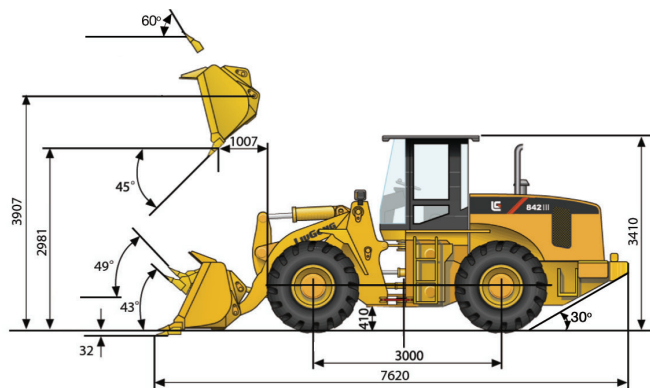
TRANSMISSION	
Transmission Type	Countershaft, power shift
Torque Converter	Single stage, three elements
Travel Speed, fwd	42.2 km/h
Travel Speed, rev	27.1 km/h
Number of Speeds, fwd	4
Number of Speeds, rev	3

AXLES	
Differential Front Type	Limited slip
Differential Rear Type	Limited slip
Axle Oscillation	±12°

STEERING	
Steering Configuration	Articulated
Steering Relief Pressure	17 Mpa

BRAKES	
Service Brake Type	Wet discs brake
Service Brake Actuation	Hydraulic
Parking Brake Type	Manual electronic control
Parking Brake Actuation	Hydraulic

HYDRAULIC SYSTEM	
Main Pump Type	Vane
Main Relief Pressure	20 MPa
Raise Time	5.8 s
Dump Time	1.1 s
Float Down Time	3.8 s
Fastest Total Cycle Time	10.7 s



LOADER ARM PERFORMANCE	
Tipping Load - Straight	11,500 kg
Tipping Load - Full Turn	10,061 kg
Bucket Breakout Force	136 kN
Maximum Dump Angle at Full Height	45°
Dump Clearance at Full Height Discharge	2,981 mm
Dump Reach at Full Height Discharge	1,007 mm
Maximum Hinge Pin Height	3,907 mm
Maximum Digging Depth, Bucket Level	32 mm
Bucket Rollback at Ground Level	43°
Bucket Rollback at Carry	49°
Bucket Rollback at Maximum Height	60°

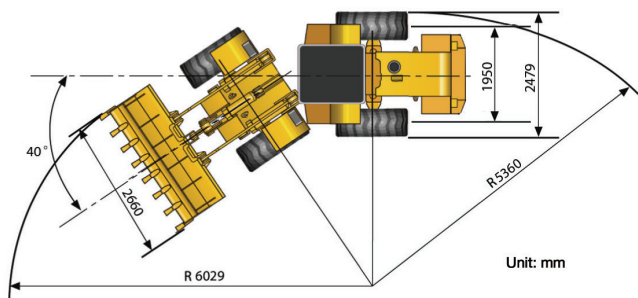
BUCKET PERFORMANCE	
Reference Bucket	2.7 m ³

DIMENSIONS	
Length with Bucket Down	7,620 mm
Width Over Tires	2,479 mm
Wheelbase	3,000 mm
Wheel Tread	1,950 mm
Ground Clearance	410 mm
Turn Angle, Either Side	40°
Rear Angle of Departure	30°
Turning Radius, Outside of Tire	5,360 mm
Turning Radius, Center of Tire	5,100 mm
Turning Radius, Bucket Carry	6,029 mm

TIRES	
Tire Size	20.5 R 25

OPERATING WEIGHTS	
Operating Weight	15,000 kg

SERVICE CAPACITY	
Fuel Tank	240 L
Engine Oil	22 L
Cooling System	35 L
Hydraulic Reservoir	240 L
Transmission and Torque Converter	45 L
Axle, Front	36 L
Axle, Rear	42 L



Guangxi Liugong Machinery Co., Ltd.

No. 1 Liutai Road, Liuzhou, Guangxi 545007, PR China
T: +86 772 3886124 E: overseas@liugong.com
www.liugong.com

Specifications and designs are subject to change without notice. Machines shown may include optional equipment.

05/2014 Designed by LiuGong