



SY235CLC

Hydraulic Excavator



KEY FEATURES

- Equipped with a powerful and efficient Cummins QSB6.7 Tier 3 engine with an intelligent hydraulic system to match engine response
- X-beam design uses a high strength box-section structure for maximum durability and excellent torsion-resistant performance
- Two-way auxiliary hydraulics are standard

Total Weight

27,000 Kg - 59,525 lb

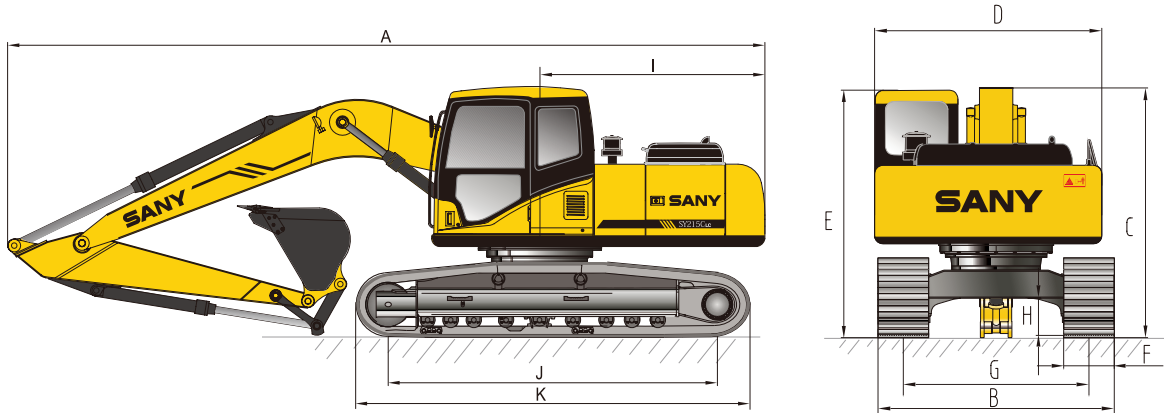
Rated Power

28.5 kW/2,100 rpm -
172 hp/2,100 rpm

Bucket Digging Force

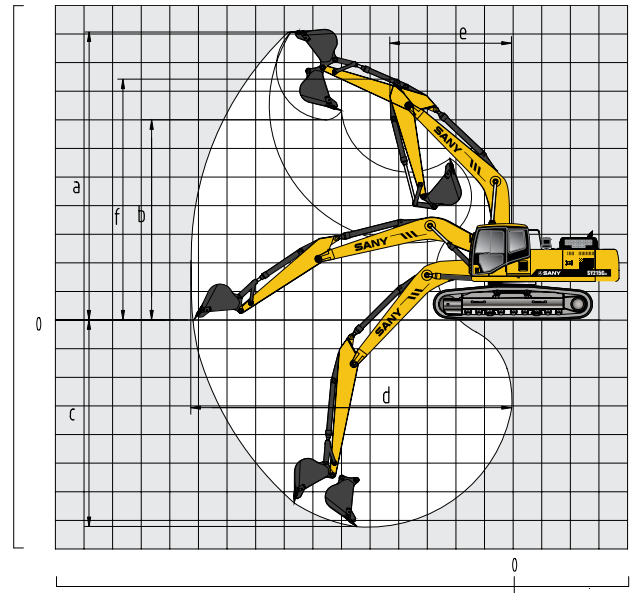
88.4 kN - 19,873 lb

SY235CLC Dimensions & Specifications



OVERALL DIMENSIONS

	Standard	Metric
A Transport Length	33' 2"	10,120 mm
B Transport Width	11' 1"	3390 mm
C Transport Height	11' 1"	3394 mm
D Upper Structure Width	8' 11"	2710 mm
E Cab Height	10' 0"	3050 mm
F Track Shoe Width (standard)	2' 8"	800 mm
G Track Gauge	8' 6"	2590 mm
H Minimum Ground Clearance	1' 7"	480 mm
I Tail Swing Radius	9' 6"	2890 mm
J Length Center Idler to Center Sprocket	12' 7"	3830 mm
K Track Length	15' 2"	4635 mm
Boom Length	19' 4"	5900 mm
Arm Length (standard)	9' 9"	2962 mm



MACHINE PARAMETERS

Operating Weight	55,589 lb (25,215 kg)
Engine Type	Cummins QSB6.7 T3
Engine Max Power (Gross)	195 hp (145 kW) @ 1950 rpm
Engine Max Torque	687 lbf (931 Nm) @ 1400 rpm
Engine Displacement	408 in ³ (6.7 liter)
Main Pump Flow	2x 67 gpm (252 lpm)
Swing Speed	13 rpm
Travel Speed	2.0/3.4 mph (3.2/5.5 km/h)
Tractive Effort	43,836 lbf-ft (195 kN)
Max Arm Digging Force (ISO)	39,340 lbf-ft (122 kN)
Number of Upper Rollers	2
Number of Lower Rollers	9
Fuel Tank Capacity	90 gal (340 liter)
Hydraulic Tank Capacity	61 gal (230 liter)
Cooling System Capacity	7.3 gal (27.6 liter)
Engine Oil Capacity	7.0 gal (26.4 liter)
Ground Pressure (31.5"/800mm shoes)	5.2 psi (35.7 kPa)

WORKING RANGE

	Standard	Metric
a Maximum Digging Height	31' 2"	9520 mm
b Maximum Dumping Height	22' 1"	6730 mm
c Maximum Digging Depth	22' 2"	6757 mm
d Maximum Vertical Wall Digging Depth	19' 3"	5860 mm
e Maximum Digging Reach	33' 4"	10,165 mm
f Minimum Swing Radius	12' 6"	3800 mm
g Maximum Height at Minimum Swing Radius	26' 1"	7940 mm

SANY America Inc.

318 Cooper Circle | Peachtree City, GA 30269
T: 678-251-2810 | F: 770-632-7820

www.sanyamerica.com

