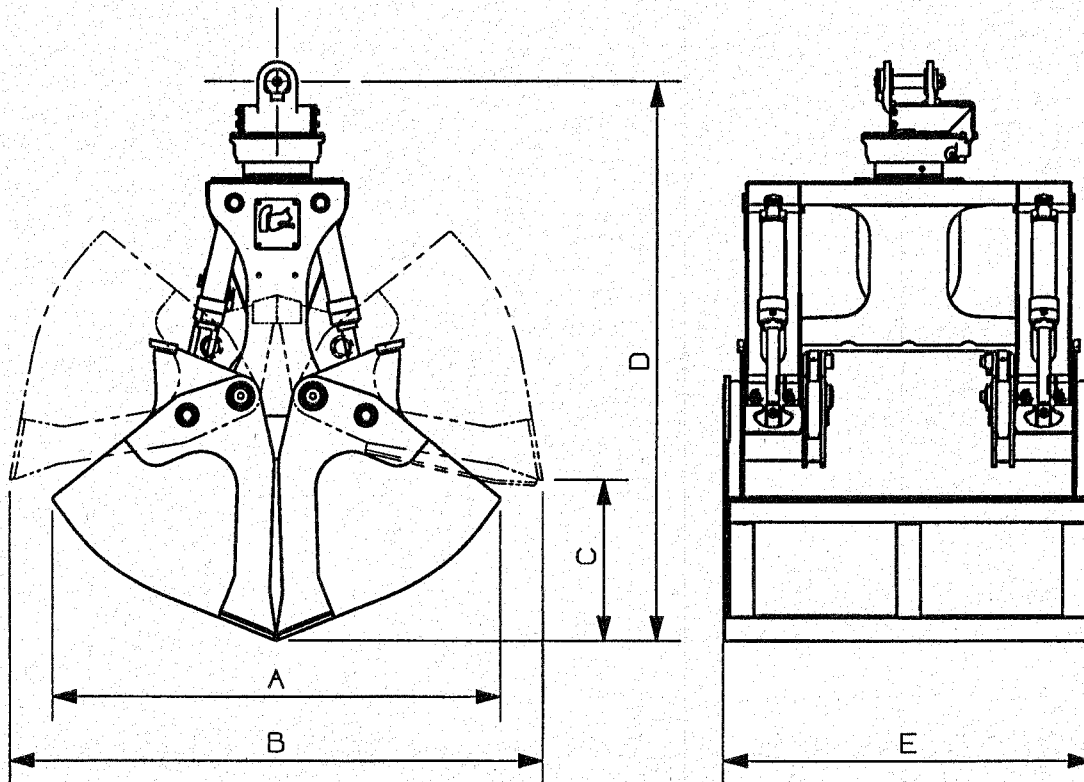


Technical data

STANDARD REHANDLER (3000 lb / cubic yard maximum)		Dimensions A,B,C,D and E are in inches							
MODEL	CSB 200	CSB 225	CSB 250	CSB 300	CSB 350	CSB 400	CSB 450	CSB 500	CSB 600
CAPACITY (SAE rated heaped) in cubic yard	2	2 1/4	2 1/2	3	3 1/2	4	4 1/2	5	6
DECK AREA (in square feet)	38 1/4	40 3/8	42 5/8	50 3/8	54 3/8	58	62 7/8	65 5/8	73
A	74 1/2	78 5/8	82 3/8	81 1/4	86 3/4	92	95 3/8	99	108 1/2
B	88 7/8	93 7/8	98 7/8	96 3/8	103 7/8	111	112	116 3/4	129 7/8
C	26 1/2	28 3/4	30 7/8	29 3/4	32 3/4	34 7/8	35	36 1/4	42 1/4
D with									
RT-502	92 3/4	95 3/8	97 7/8	99 3/4	103 1/2	106 3/4	—	—	—
RT-1004	—	—	100 3/4	102 5/8	106 1/2	110	113 1/8	116	122 1/4
E	62	62	62	75 3/8	75 3/8	75 3/8	81	81	81
WEIGHT with									
RT-502	4187	4282	4379	5547	5729	5919	—	—	—
RT-1004	—	—	4664	5832	6014	6204	7396	7556	7917
Weight of bolt-on edges option	250	250	250	300	300	300	450	450	450
Cylinder Flow range gpm (maximum)	36	36	36	42	42	42	50	50	50
Cylinder Pressure range: 5000 psi maximum for all CSB models									

We reserve the right to change specifications and improve our products without notice or obligation.

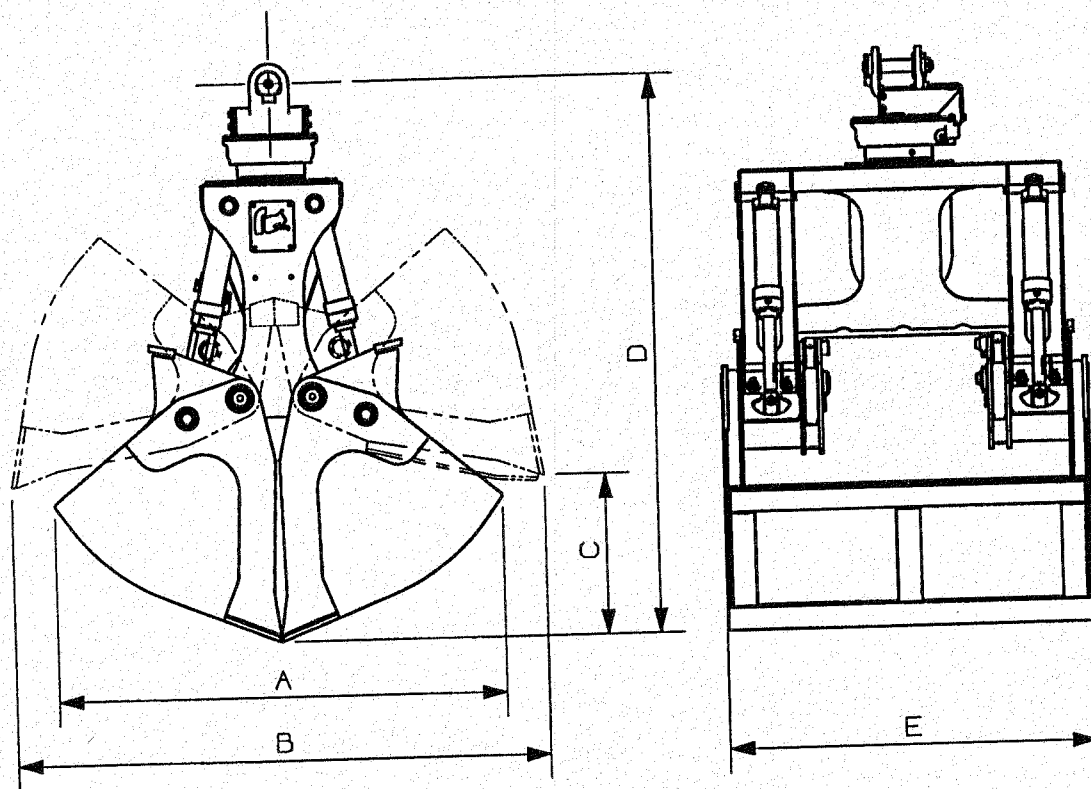


Technical data

HEAVY-DUTY REHANDLER (4500 lb / cubic yard maximum)									
Dimensions A,B,C,D and E are in inches									
MODEL	CSB 200HD	CSB 225HD	CSB 250HD	CSB 300HD	CSB 350HD	CSB 400HD	CSB 450HD	CSB 500HD	CSB 600HD
CAPACITY (SAE rated heaped) in cubic yard	2	2 1/4	2 1/2	3	3 1/2	4	4 1/2	5	6
DECK AREA (in square feet)	37 1/4	39 5/8	41 3/4	49 1/2	54 1/8	57 7/8	63 1/2	67	73 3/4
A	74	78	81 1/2	82 1/4	88 1/2	93 3/4	95 3/4	100 3/8	109 5/8
B	86 3/4	92 1/4	97	94 1/2	103 3/8	110 1/2	112 7/8	119 1/8	131 1/4
C	25 1/4	27 1/2	29 1/2	27 3/4	31 3/8	34 1/4	34	36 1/2	41 3/8
D with									
RT-502	94 7/8	97 1/2	100	—	—	—	—	—	—
RT-1004	—	—	102 7/8	104 1/4	108 3/4	112 3/8	115 3/4	118 7/8	125
E	62	62	62	75 3/8	75 3/8	75 3/8	81	81	81
WEIGHT with									
RT-502	5099	5256	5376	—	—	—	—	—	—
RT-1004	—	—	5661	6712	6966	7172	8751	8979	9434
Cylinder Flow range gpm (maximum)	42	42	42	50	50	50	68	68	68

Cylinder Pressure range: 5000 psi maximum for all CSB heavy-duty models

We reserve the right to change specifications and improve our products without notice or obligation.



Technical data

HEAVY-DUTY REHANDLER (4500 lb / cubic yard maximum)		Dimensions A,B,C,D and E are in inches							
ENVIRO MODELS	CSB 300HD ENVIRO								
CAPACITY (SAE rated heaped) in cubic yard	3								
DECK AREA (in square feet)	49 1/2								
A	82 1/4								
B	94 1/2								
C	27 3/4								
D with	RT-502	—							
	RT-1004	104 1/4							
E		75 3/8							
WEIGHT with	RT-502	—							
	RT-1004	7264							
Cylinder Flow range gpm (maximum)	50								
Cylinder Pressure range: 5000 psi maximum for all CSB heavy-duty models									

We reserve the right to change specifications and improve our products without notice or obligation.

