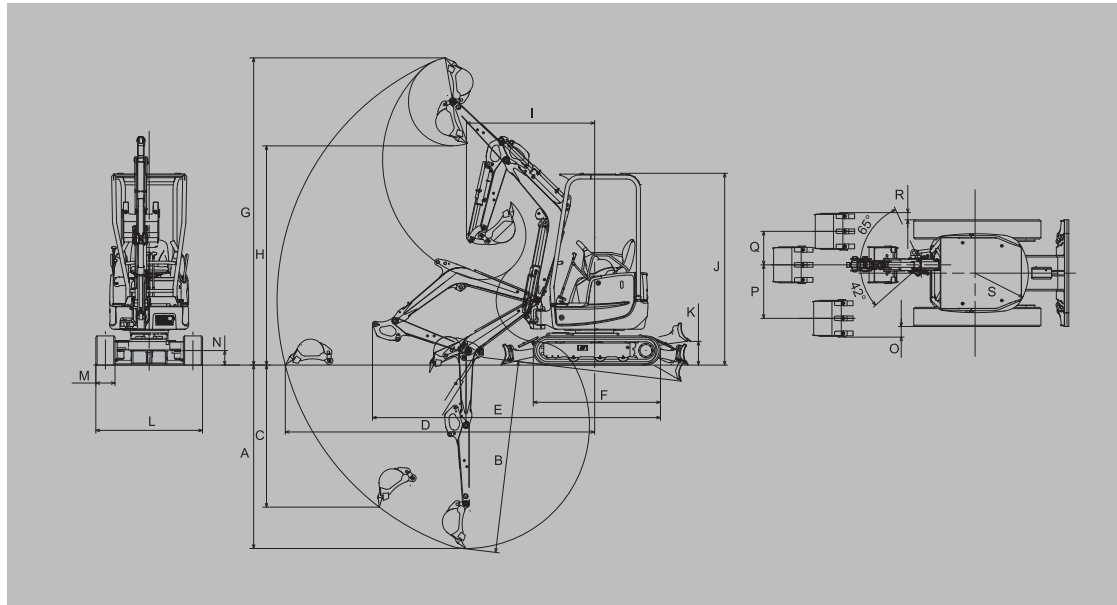


Dimensions



Unit:ft-in (mm)

	SK17SR
A	7'3" (2,200)
B	7'7" (2,310)
C	6'1" (1,850)
D	12'2" (3,710)
E	11'4" (3,450)
F	5'0" (1,525)
G	12'1" (3,690)
H	8'8" (2,630)
I	5'0" (1,535)
J	7'7" (2,300)
K	10" (260)
L	3'1" (950)
M	4'2" (1,280)
N	9" (230)
O	7" (175)
P	5" (125)
Q	2'1" (640)
R	1'4" (400)
S	3" (85)
	2'1" (R640)

Specifications

GENERAL			
MODEL		SK17SR	
Type		SK17SR-5E	
Machine Mass	lbs (kg)	3,836(1,740)	
Recommended bucket capacity	cu ft (m ³)	1.77(0.05)	
Arm length	ft-in (mm)	3'1"(950)	
Bucket Digging Force (SAE J1179)	lbf (kN)	2,833(12.6)	
Bucket Digging Force (ISO 7451)	lbf (kN)	3,395(15.1)	
Arm Crowding Force (SAE J1179)	lbf (kN)	1,821(8.1)	
Arm Crowding Force (ISO 7451)	lbf (kN)	1,911(8.5)	
ENGINE			
Model		YANMAR 3TNV74F-SPBV	
Type		Tier4 water-cooled 4-cycle 3-cylinder	
Power Output	SAE NET	hp (kW)/rpm	13.5(10.1)/2,500
	(Without Fan)	hp (kW)/rpm	15.0(11.2)/2,500
Max. Torque	SAE NET	lbf (N·m)/rpm	36.3(49.2)/1,800
	(Without Fan)	lbf (N·m)/rpm	37.0(50.2)/1,800
Displacement	cu in (L)	61.0(1.0)	
Fuel Tank	U.S. gal (L)	5.2(20)	
HYDRAULIC SYSTEM			
Pump		Two variable displacement pumps + two gear pump*(one for pilot pump)	
Max. Discharge Flow	U.S. gal (L)/min	2×4.6(17.6), 1×3.5(13.2), 1×2.6(11.2)	
Relief Valve Setting	psi (MPa)	2×20.6, 16.7×1, 2.9×1	
Hydraulic Oil Tank (system)	U.S. gal (L)	4.3(16.5)(6.8(26))	
TRAVEL SYSTEM			
Travel Motors		Orbit motor	
Parking Brake		Hydraulic lock type	
Travel speed (high/low)	mph (km/h)	2.7(4.3) / 1.3(2.1)	
Traction force	lbf (kN)	4,114(18.3)	

STANDARD EQUIPMENT

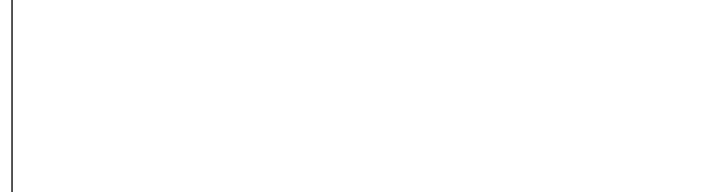
- ROPS / FOPS canopy
- Rubber track
- N&B piping
- Travel alarm
- 2-way pattern changer

Note: This catalog may contain attachments and optional equipment that are not available in your area. It may also contain photographs of machines with specifications that differ from those of machines sold in your area. Please consult your nearest KOBELCO distributor for those items you require. Due to our policy of continuous product improvements all designs and specifications are subject to change without advance notice. Copyright by KOBELCO CONSTRUCTION MACHINERY CO., LTD. No part of this catalog may be reproduced in any manner without notice.

KOBELCO CONSTRUCTION MACHINERY U.S.A. INC.

22350 Merchants Way
 Katy, Texas 77449
 T: 281-888-8430
 F: 281-506-8713
 www.KOBELCO-USA.com/

Inquiries To:



SK17SR-NA-8P-101-1501ONEE

KOBELCO

**DRIVEN BY
 PASSION**

**MINI EXCAVATORS
 SK17SR**



SK17SR - 5E

Compact, Tough Performer

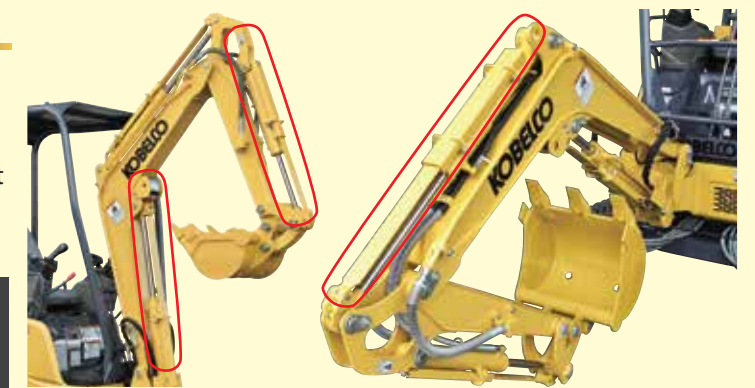
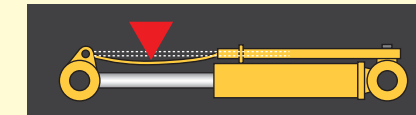
Mini excavators are widely used at sites where space is limited, such as residential areas and industrial operations. Users want big power in a small machine, stable operation, rugged construction and durability to reduce downtime. The SK17SR combines a compact design with long digging reach for efficiency, maneuverability and durability to ensure a long working life.



Durability

Superior durability

The spring steel cylinder rod guard is standard for the bucket, boom and arm cylinder. The use of spring steel not only protects the cylinder rod, but gives resiliency to the guard itself.



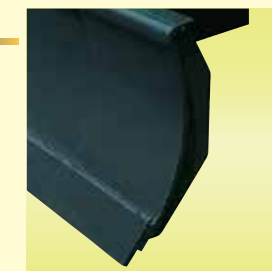
Boom light

Work light is set under the boom to minimize potential damage during operation.



Blade cutting edge

Backfill dozer blade has wear-resistant cutting edge.



Dozer cylinder rod guard

Dozer cylinder rod guard protects dozer cylinder from damage.



Side frames protector

The frame corners are reinforced with thick cast iron. The side cover has thicker plate for higher resilience.



Compact

Ultra-small rear swing design with zero overhang

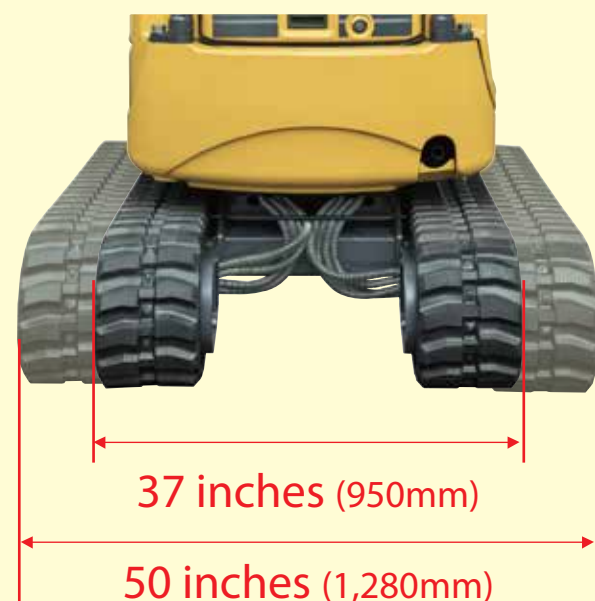
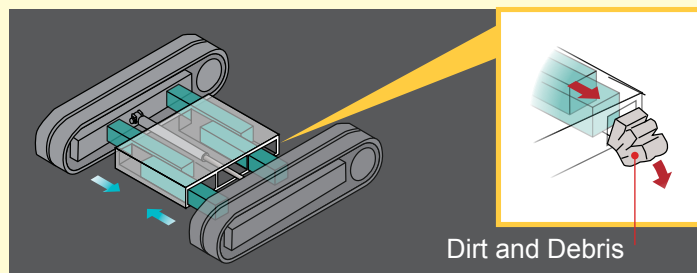
Tail swing radius overhang is 0 inches with the crawler side frames fully extended, so you can work in tight places safely and efficiently.

Tail overhang: **0 inches**



Self-cleaning retractable crawler frames

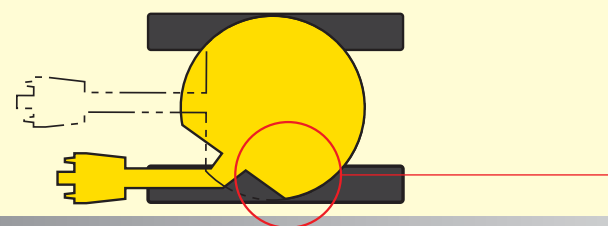
The hydraulic retractable side frames are strong and durable, as well as self cleaning. They retract to a narrow 37 inches for those tight areas and extend to a solid 50 inches for stability.



Excellent side ditch digging along walls

During a right boom swing, the left front frame does not extend past the crawler shoes, so you can smoothly dig along walls.

Body does not extend past the crawler shoes.



Front overhang: **0 inches** (During right boom swing)

Smaller front minimum swing radius

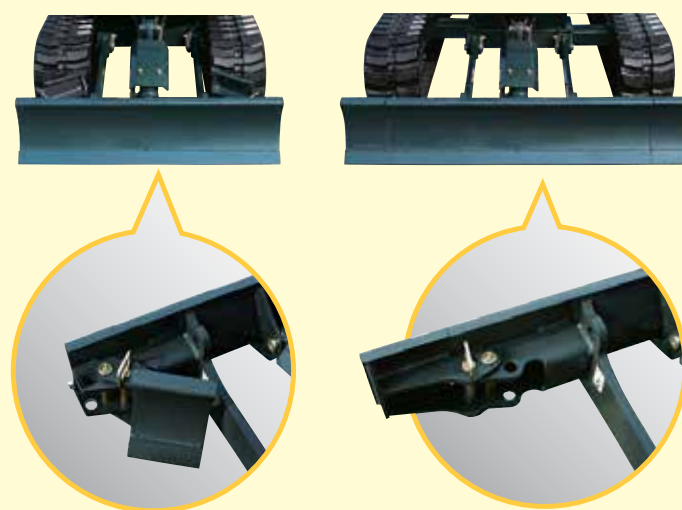
The front minimum swing radius is a short four feet, six inches at full boom swing that allows for digging, swinging, and loading even in tight spots.

Min. swing radius : **4 feet, 6 inches (1,535 mm)** at right full boom swing



Easy change of dozer blade width

Adapt to job conditions by changing the dozer blade width. The dozer blade wings fold in and out and are securely fastened with a retainer pin.



Performance

Digging depth at the top of its class

Digging depth of seven feet, three inches puts it at the top of its class.

Max. digging depth : **7 feet 3 inches** (2,200 mm)

Reliable swing power, faster working speed

Powerful swing torque and top-class swing speed deliver shorter cycle times.

Swing speed : **9.5 rpm**

Straight Travel

Straight Travel circuit allows you to drive in a line, even while operating the boom.

Comfort



Large travel pedals



Large travel pedals make operation easier and more comfortable.

Pass-through operating station



Pass-through operating station allows getting on and off from either side.

Wrist rests



Wrist rests fitted on each control box ensure comfortable operation.

Operator Safety

ROPS/FOPS canopy

Meets international protection standards for greater operator safety.

ROPS: Roll-over Protection System
FOPS: Falling-object Protection System



Control lock lever

Raise the control lock lever to lock the attachment, rotate, swing the boom, and operate the machine. As an added precaution, the engine won't start with the lever raised.



Maintenance

Front side

The fuel filler port is conveniently located in front of the right operating lever, making refueling easy.

Fuel filler port



Open the cover below the operator's seat to easily perform maintenance on the battery, starter motor, and generator.



Starter motor and Generator



Battery

Rear side

Regular inspections are simple with the large, vertically-opening hood.



Water separator

Engine oil filler port

Fuel filter

Air cleaner

Radiator overflow bottle

Left side

The cartridge return filter is easily replaced without getting your hands dirty.



Return filter



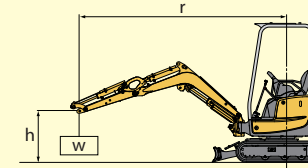
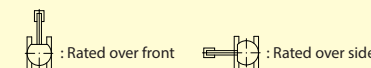
Fuel tank

Radiator

Lifting Capacity

Excavator equipped with ROPS/FOPS and rubber crawlers

r : Reach from swing center line : ft-in(mm)
h : Lift point height : ft-in(mm)
w : Lifting capacity : lbs(kg)



- Do not attempt to lift or hold any load that is greater than these lift capacities at their specified lift point radius and heights. Weight of all accessories must be deducted from the above lift capacities.
- Lift capacities are based on machine standing on level, firm, and uniform ground. User must make allowance for job conditions such as soft or uneven ground, out of level conditions, side loads, sudden stopping of loads, hazardous conditions, experience of personnel, etc.
- Arm bucket pin is defined as lift point.
- The above lifting capacities are in compliance with SAE J150 10567. They do not exceed 87 % of hydraulic lifting capacity or 75 % of tipping load. Lifting capacities marked with an asterisk (*) are limited by hydraulic capacity rather than tipping load.
- Operator should be fully acquainted with the Operator's and Maintenance Instructions before operating this machine. Rules for safe operation of equipment should be adhered to at all times.
- Lift capacities apply to only machines as normally equipped by KOBELCO CONSTRUCTION MACHINERY CO., LTD.

Lift Point Height h:in (mm)	(r) Lift Radius-In. (mm)				(r) Lift Radius-In. (mm)				(r) Lift Radius-In. (mm)			
	Rated Lift Capacity Over End Blade Down lbs (kg)				Rated Lift Capacity Over End Blade Up lbs (kg)				Rated Lift Capacity Over Side Blade Up lbs (kg)			
	78.7(2,000)	98.5(2,500)	Max	Radius :in (mm)	78.7(2,000)	98.5(2,500)	Max	Radius :in (mm)	78.7(2,000)	98.5(2,500)	Max	Radius :in (mm)
78.7 (2,000)		*705(320)	*749(340)	118.9 (3,020)		*694(315)	496(225)	118.9 (3,020)		*694(315)	518(235)	118.9 (3,020)
59.1 (1,500)	*936(425)	*815(370)	*771(350)	127.1 (3,230)	*925(420)	672(305)	451(205)	127.1 (3,230)	*936(425)	*815(370)	473(215)	127.1 (3,230)
39.4 (1,000)	*1,311(595)	*992(450)	*804(365)	129.9 (3,300)	903(410)	628(285)	407(185)	131.1 (3,300)	959(435)	650(295)	440(200)	131.1 (3,300)
19.7 (500)	*1,631(740)	*1,157(525)	*826(375)	130.3 (3,310)	859(390)	617(280)	407(185)	130.3 (3,310)	914(415)	650(295)	440(200)	130.3 (3,310)
Ground (0)	*1,686(765)	*1,212(550)	*859(390)	126.3 (3,210)	804(365)	584(265)	418(190)	126.3 (3,210)	848(385)	628(285)	451(205)	126.3 (3,210)
-19.7 (-500)	*1,620(735)	*1,201(545)	*903(410)	119.6 (3,040)	782(355)	573(260)	462(210)	119.6 (3,040)	848(385)	617(280)	496(225)	119.6 (3,040)
-39.4 (-1,000)	*1,499(680)		*925(420)	103.5 (2,630)	826(375)		551(250)	103.5 (2,630)	892(405)		584(265)	103.5 (2,630)