

Lifting Capacity

Excavator equipped with ROPS/FOPS and rubber crawlers

r : Reach from swing center line : ft-in(mm)

h : Lift point height : ft-in(mm)

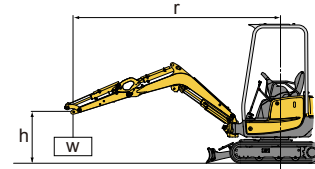
w : Lifting capacity : lbs(kg)



: Rated over front



: Rated over side



| | r: Reach ft-in (mm) | | | | | | | | | | | | | | | |
|-----------------|--|-------------|--------------|-------------|----------------|--|-------------|--------------|-------------|---------------|---|-------------|--------------|-----------|---------------|----------------|
| | Rated Lift Capacity Over End Blade Down : lbs (kg) | | | | | Rated Lift Capacity Over End Blade Up : lbs (kg) | | | | | Rated Lift Capacity Over Side Blade Up : lbs (kg) | | | | | |
| | 6'7"(2,000) | 8'2"(2,500) | 9'10"(3,000) | Max | Radius | 6'7"(2,000) | 8'2"(2,500) | 9'10"(3,000) | Max | Radius | 6'7"(2,000) | 8'2"(2,500) | 9'10"(3,000) | Max | Radius | |
| 9'10" (3,000) | | | | *1,014(460) | 9'10" (3,010) | | | | *992(450) | 9'10" (3,010) | | | | 837(380) | 9'10" (3,010) | |
| 8'2" (2,500) | | | *1,014(460) | *1,014(460) | 11'1" (3,380) | | | | *1,014(460) | 881(400) | 11'1" (3,380) | | | *992(450) | 727(330) | 11'1" (3,380) |
| 6'7" (2,000) | | | *1,014(460) | *1,036(470) | 11'10" (3,630) | | | | *1,014(460) | 793(360) | 11'10" (3,630) | | | 793(360) | 661(300) | 11'10" (3,630) |
| 3'3" (1,000) | | *1,675(760) | *1,366(620) | *1,080(490) | 12'5" (3,800) | | *1,675(760) | *1,322(600) | 705(320) | 12'5" (3,800) | | *1,675(760) | 970(440) | 595(270) | 12'5" (3,800) | |
| Ground (0) | *2,888(1,310) | *2,094(950) | *1,609(730) | *1,146(520) | 12'2" (3,720) | 1,962(890) | 1,388(630) | 1,058(480) | 727(330) | 12'2" (3,720) | 1,521(690) | 1,124(510) | 881(400) | 595(270) | 12'2" (3,720) | |
| -3'3" (-1,000) | *2,645(1,200) | *2,028(920) | *1,543(700) | *1,190(540) | 10'4" (3,150) | 1,918(870) | 1,322(600) | 1,036(470) | 859(390) | 10'4" (3,150) | 1,543(700) | 1,102(500) | 837(380) | 705(320) | 10'4" (3,150) | |
| -4'11" (-1,500) | *2,116(960) | *1,675(760) | | *1,168(530) | 8'9" (2,680) | 1,851(840) | 1,344(610) | | 1,036(470) | 8'9" (2,680) | 1,499(680) | 1,124(510) | | 881(400) | 8'9" (2,680) | |

- Do not attempt to lift or hold any load that is greater than these lift capacities at their specified lift point radius and heights. Weight of all accessories must be deducted from the above lift capacities.
- Lift capacities are based on machine standing on level, firm, and uniform ground. User must make allowance for job conditions such as soft or uneven ground, out of level conditions, side loads, sudden stopping of loads, hazardous conditions, experience of personnel, etc.
- Arm bucket pin is defined as lift point.

- The above lifting capacities are in compliance with SAE J/ISO 10567. They do not exceed 87 % of hydraulic lifting capacity or 75 % of tipping load. Lifting capacities marked with an asterisk (*) are limited by hydraulic capacity rather than tipping load.
- Operator should be fully acquainted with the Operator's and Maintenance Instructions before operating this machine. Rules for safe operation of equipment should be adhered to at all times.
- Lift capacities apply to only machines as normally equipped by KOBELCO CONSTRUCTION MACHINERY CO., LTD.

STANDARD EQUIPMENT

- ROPS / FOPS Canopy
- Rubber track
- Reclining seat
- N&B piping
- Travel alarm
- 2-way pattern changer

OPTIONAL EQUIPMENT

- ROPS / FOPS Cab
- Steel track
- Auto deceleration

Note: This brochure may show attachments and optional equipment that is not available in your area. It may contain images of machines with specifications that differ from those sold in your area. Please consult your nearest KOBELCO distributor for items you require. Due to our policy of continuous product improvement, all designs and specifications are subject to change without advance notice. Copyright by KOBELCO CONSTRUCTION MACHINERY CO., LTD. No part of this brochure may be reproduced in any manner without prior written permission.

KOBELCO CONSTRUCTION MACHINERY U.S.A. INC.

22350 Merchants Way
Katy, Texas 77449
T: 281-888-8430
F: 281-506-8713
www.KOBELCO-USA.com/

Inquiries To:

SK25SR-NA-8P-101-1501ONEE

KOBELCO

DRIVEN BY
PASSION

MINI EXCAVATORS SK25SR



SK25SR - 6E

Compact, Tough Performer

Mini excavators are widely used at sites where space is limited, such as residential areas and industrial operations. Users want big power in a small machine, stable operation, rugged construction and durability to reduce downtime. The SK25SR combines a compact design with long digging reach for efficiency, maneuverability and durability to ensure a long working life. Maintenance is straightforward, with an LED monitor, fitted as standard, to keep the operator up to speed on the machine's running condition. The SK25SR is a mini with big aspirations, designed and equipped for full-sized performance over an extended working life.



High lifting performance

Ensures high lifting performance with excellent stability

1,146 lbs (5209 kg)

Reach from swing center line : 12' 2"
Lift Point Height : 0 (Ground)

Reliable swing power, faster working speed

Powerful swing torque and top-class swing speed deliver shorter cycle times.

Swing speed : **10 rpm**

Auto deceleration (option)



If the operating levers have been in neutral for more than 4 seconds, the engine will automatically drop back to idle, which lowers noise, emissions and fuel consumption.

Backlit liquid crystal monitor

The backlit liquid crystal monitor is standard. Operation information as well as the full range of machine status information can be readily checked.



LED warning indicators

Water temperature gauge

Clock

Hour meter

Fuel gauge

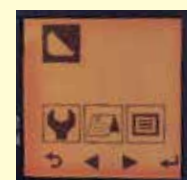
Menu switch

Function keys

Function key guidance



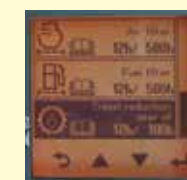
Default view



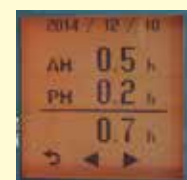
Main menu



Machine operation management view



Maintenance view



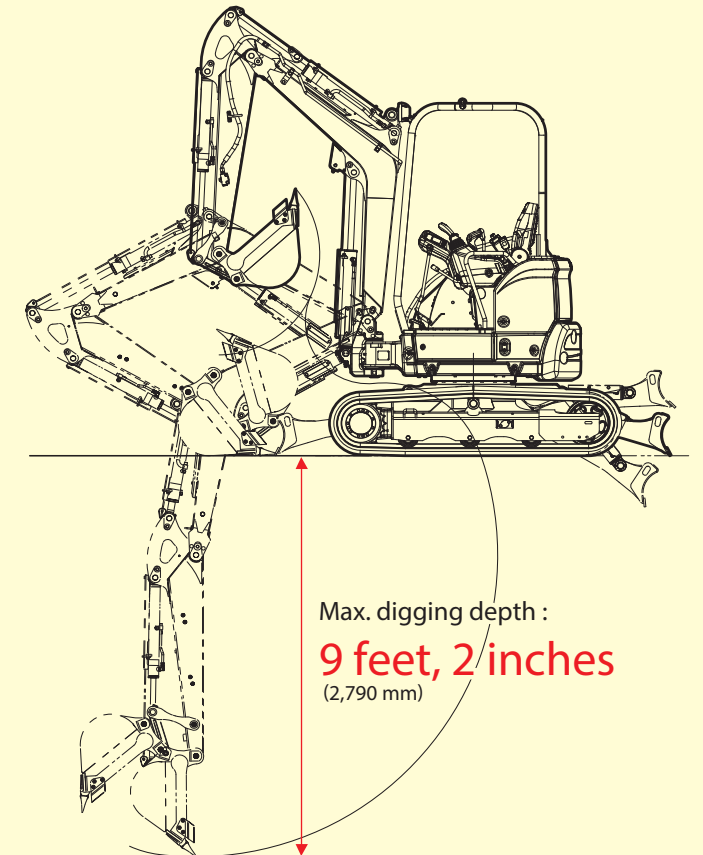
Machine operating hours view



Language setting view

Digging depth at the top of its class

Digging depth of nine feet, two inches puts it at the top of its class.



Max. digging depth :
9 feet, 2 inches
(2,790 mm)

Compact

Zero tail swing and excellent side digging along walls

During a right boom swing, the left front frame does not extend past the crawler shoes, so you can smoothly dig along walls.



Smaller front minimum swing radius

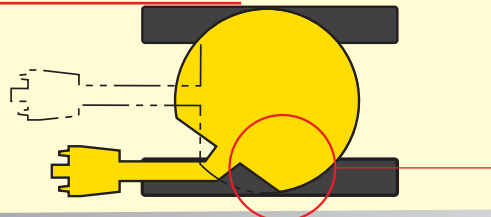
The front minimum swing radius is a short five feet, five inches at full boom swing that allows for digging, swinging, and loading even in tight spots.

Min. swing radius : **5 feet, 5 inches (1,680 mm)** (at right full boom swing)



Body does not extend past crawler shoes.

Tail overhang : **0 inches**

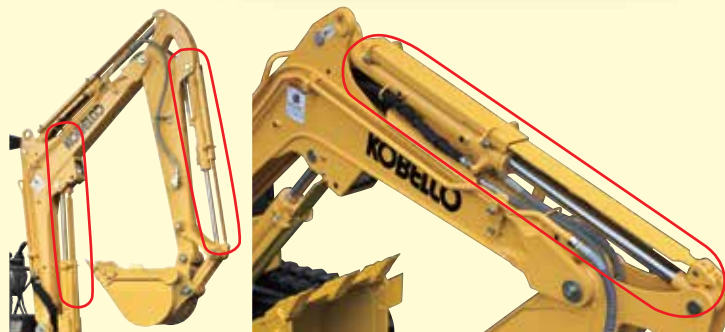


Front overhang : **0 inches** (During right boom swing)

Durability

Superior durability

The spring steel cylinder rod guard is standard for the bucket, boom and arm cylinder. The use of spring steel not only protects the cylinder rod, but gives resiliency to the guard itself.



Boom light

Work light is set under the boom to minimize potential damage during operation.



Blade cutting edge

Backfill dozer blade has wear-resistant cutting edge.



Comfort



Operator's manual storage



The operator's manual storage is located on the back side of the operator's seat.

Wrist rest



Wrist rests fitted on the each control lever box to ensure comfortable operation.

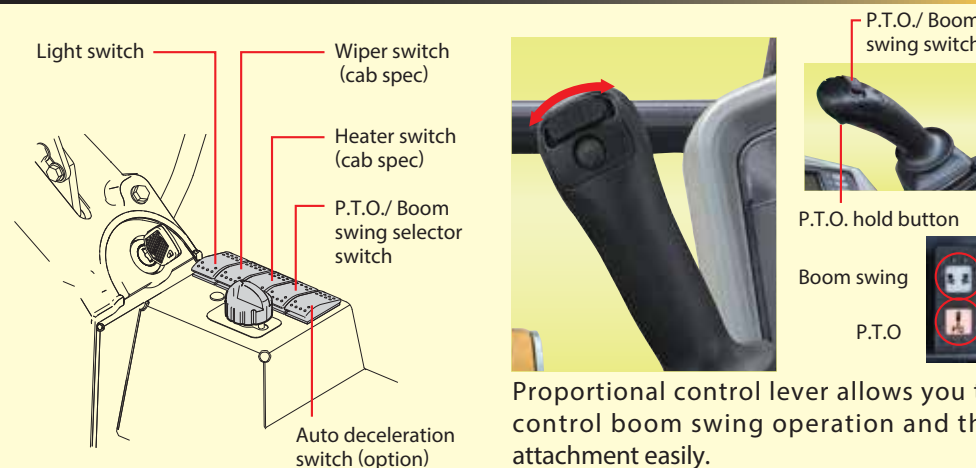
Comfortable reclining seat



Seat can be adjusted to match the operator's size and posture.

Levers and switches concentrated on the right side of the operator

Centralized switches in a convenient position to allow for simple, convenient operation.



Proportional control lever allows you to control boom swing operation and the attachment easily.

Operator Safety

ROPS/FOPS canopy

Meets international protection standards for greater operator safety.

ROPS: Roll-over Protection System
FOPS: Falling-object Protection System



Control lock lever

Raise the control lock lever to lock the attachment, rotate, swing the boom and operate the machine. As an added precaution, the engine won't start with the lever raised.



Travel alarm

An alarm sounds when driving to notify those nearby to stay clear.

Maintenance

Right side of the machine



Fuel tank

Hydraulic tank

Battery



Generator

Starter motor

Fuse box

Rear side of the machine



Air cleaner

Water separator

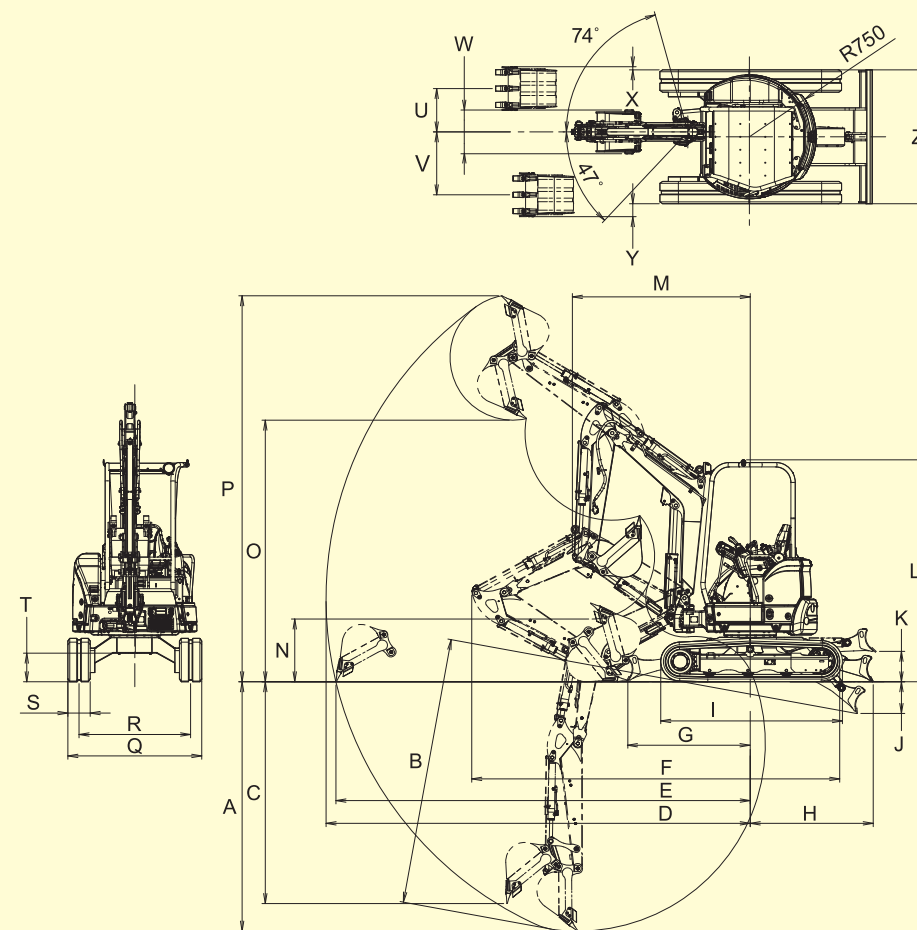
Fuel filter

Radiator overflow bottle

Engine oil filler port

Dimensions

Unit : ft-in (mm)



| SK25SR | | |
|--------|---------------|---------------|
| | Canopy spec | Cab spec |
| A | 9'2" (2,790) | 9'2" (2,790) |
| B | 9'10" (2,990) | 9'10" (2,990) |
| C | 8'2" (2,490) | 8'2" (2,490) |
| D | 15'7" (4,750) | 15'7" (4,750) |
| E | 15'3" (4,640) | 15'3" (4,640) |
| F | 13'6" (4,120) | 13'6" (4,120) |
| G | 4'6" (1,370) | 4'6" (1,370) |
| H | 4'6" (1,380) | |
| I | 6'8" (2,040) | |
| J | 1'2" (355) | |
| K | 1'1" (340) | |
| L | 8'2" (2,490) | 8'4" (2,530) |
| M | 6'6" (1,990) | 6'6" (1,990) |
| | SWING | SWING |
| N | 5'6" (1,680) | 5'6" (1,680) |
| O | 2'4" (705) | 2'4" (705) |
| P | 9'7" (2,930) | 9'7" (2,930) |
| Q | 14'2" (4,330) | 14'2" (4,330) |
| R | 4'11" (1,500) | |
| S | 4'1" (1,250) | |
| T | 0'10" (250) | |
| U | 1'1" (320) | |
| V | 1'7" (485) | |
| W | 2'4" (705) | |
| X | 1'7" (490) | |
| Y | 0'1" (35) | |
| Z | 0'6" (145) | |
| | 4'11" (1,500) | |

Specifications

| GENERAL | | | |
|----------------------------------|---------------|---|-----------------------|
| MODEL SK25SR | | | |
| Type SK25SR-6E | | | |
| Machine Mass | Cab | Rubber | lbs (kg) 5,930(2,690) |
| | | Steel | lbs (kg) 6,173(2,800) |
| | Canopy | Rubber | lbs (kg) 5,644(2,560) |
| | | Steel | lbs (kg) 5,886(2,670) |
| Recommended bucket capacity | | cu ft (m ³) 2.83(0.08) | |
| Arm length | | ft-in (mm) 47" (1,397) | |
| Bucket Digging Force (SAE J1179) | | lbf (kN) 4,546(20.2) | |
| Bucket Digging Force (ISO 7451) | | lbf (kN) 5,203(23.1) | |
| Arm Crowding Force (SAE J1179) | | lbf (kN) 2,720(12.1) | |
| Arm Crowding Force (ISO 7451) | | lbf (kN) 2,844(12.6) | |
| ENGINE | | | |
| Model | | YANMAR 3TNV80F-SXNBV | |
| Type | | Tier4 water-cooled 4-cycle 3-cylinder | |
| Power Output | SAE NET | hp (kW)/rpm | 19.7(14.7)/2,500 |
| | (Without Fan) | hp (kW)/rpm | 20.4(15.2)/2,500 |
| Max. Torque | SAE NET | lbf (N-m)/rpm | 47.1(63.9)/1,800 |
| | (Without Fan) | lbf (N-m)/rpm | 48.1(65.2)/1,800 |
| Displacement | | cu in (L) 77.3(1.27) | |
| Fuel Tank | | U.S. gal (L) 8.06(30.5) | |
| HYDRAULIC SYSTEM | | | |
| Pump | | Two variable displacement pumps + two gear pump(one for pilot pump) | |
| Max. Discharge Flow | | U.S. gal (L)/min 2x7.9(30.0), 1x5.6(21.3), 1x3.0(11.3) | |
| Relief Valve Setting | | psi (MPa) 2x2,987(20.6), 1x2,631(18.1), 1x427(2.9) | |
| Hydraulic Oil Tank (system) | | U.S. gal (L) 6.6(25)/(10.3(39)) | |
| TRAVEL SYSTEM | | | |
| Travel Motors | | Two Speed Travel Motors | |
| Parking Brake | | Hydraulic lock type | |
| Travel speed (high/low) | | mph (km/h) 2.8(4.5) / 1.7(2.8) | |
| Traction force | cab | lbf (kN) | 5,485(24.4) |
| | canopy | lbf (kN) | 5,485(24.4) |

| CRAWLER | | | |
|-------------------------------|--------------------|----------------------------------|------------------------|
| Shoe Width | | in (mm) 10(250) | |
| Ground Pressure | Cab | Rubber | psi (kPa) 4.52(31.1) |
| | | Steel | psi (kPa) 4.69(32.3) |
| | Canopy | Rubber | psi (kPa) 4.30(29.6) |
| | | Steel | psi (kPa) 4.47(30.8) |
| DOZER BLADE | | | |
| Width x Height | | ft-in (mm) 4'11"(1500) x 1'(295) | |
| Working Ranges (height/depth) | | ft-in (mm) 1'1"(340) / 12"(305) | |
| SWING SYSTEM | | | |
| Swing Motor | | Fixed displacement pump | |
| Parking Brake | | Spring set, hydraulic release | |
| Swing Speed | | rpm 10 | |
| Tail Swing Radius | | ft-in(mm) 2'6"(750) | |
| Min. Front Swing Radius | Over the front | Cab | ft-in (mm) 6'6"(1,990) |
| | | Canopy | ft-in (mm) 6'6"(1,990) |
| | At full boom swing | Cab | ft-in (mm) 5'6"(1,680) |
| | | Canopy | ft-in (mm) 5'6"(1,680) |
| MECHANISM | | | |
| Type | | Boom swing | |
| Offset Angle | To the left | degree | 47 |
| | To the right | degree | 74 |

Hydraulic P.T.O

| Model | | SK25SR | | |
|------------------------------|--------|--------------|------------------|-------------|
| Specifications | Output | PSI (Mpa) | US gal (L) / min | |
| | | | 2,500RPM | 1,400RPM |
| Combined flow, double action | | 2,987 (20.6) | 13.6 (51.3) | 7.58 (28.7) |