

KOBELCO

SK30SR-6E
SK35SR-6E

MINI EXCAVATORS
SK30SR
SK35SR



Note: This catalog may contain attachments and optional equipment that are not available in your area. And it may contain photographs of machines with specifications that differ from those of machines sold in your areas. Please consult your nearest KOBELCO distributor for those items you require. Due to our policy of continuous product improvements all designs and specifications are subject to change without advance notice. Copyright by KOBELCO CONSTRUCTION MACHINERY CO., LTD. No part of this catalog may be reproduced in any manner without notice.

KOBELCO CONSTRUCTION MACHINERY U.S.A. INC.

22350 Merchants Way, Katy, Texas 77449
<http://www.kobelco-usa.com/>

Inquiries To:

DRIVEN BY
PASSION

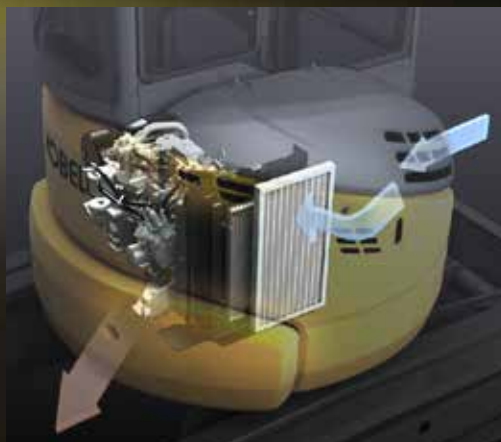
Full-Size Performance, Short-radius Agility and Quiet Operation

COMPACT YET TOUGH MINI

The new KOBELCO SK30SR / SK35SR expands the horizons of mini excavators, and offers practical performance features while maintaining a short tail swing. The new Energy Conservation Mode saves even more fuel, and Kobelco's proprietary iNDr Cooling System ensures quiet operation, protection from dust, and easy maintenance. For greater operator comfort and safety, the rectangular cab design offers plenty of room and an unobstructed view. It all adds up to enhanced full-size performance, short-radius agility and a low-noise environment, with exceptional performance features and a full range of value-added functions.



The highly airtight engine compartment and the offset duct contribute to noise reduction. The iNDr filter fitted in front of the cooling system ensures easy cleaning. The SK30SR and SK35SR is an advanced machine which incorporates the iNDr.



iNDr Cooling System

The Revolutionary Integrated Noise and Dust Reduction Cooling System



The iNDr system on the SK30SR /SK35SR features air intake at the front of the machine and air exhaust underneath. It functions in the same way as the iNDr system on the SR series machines.

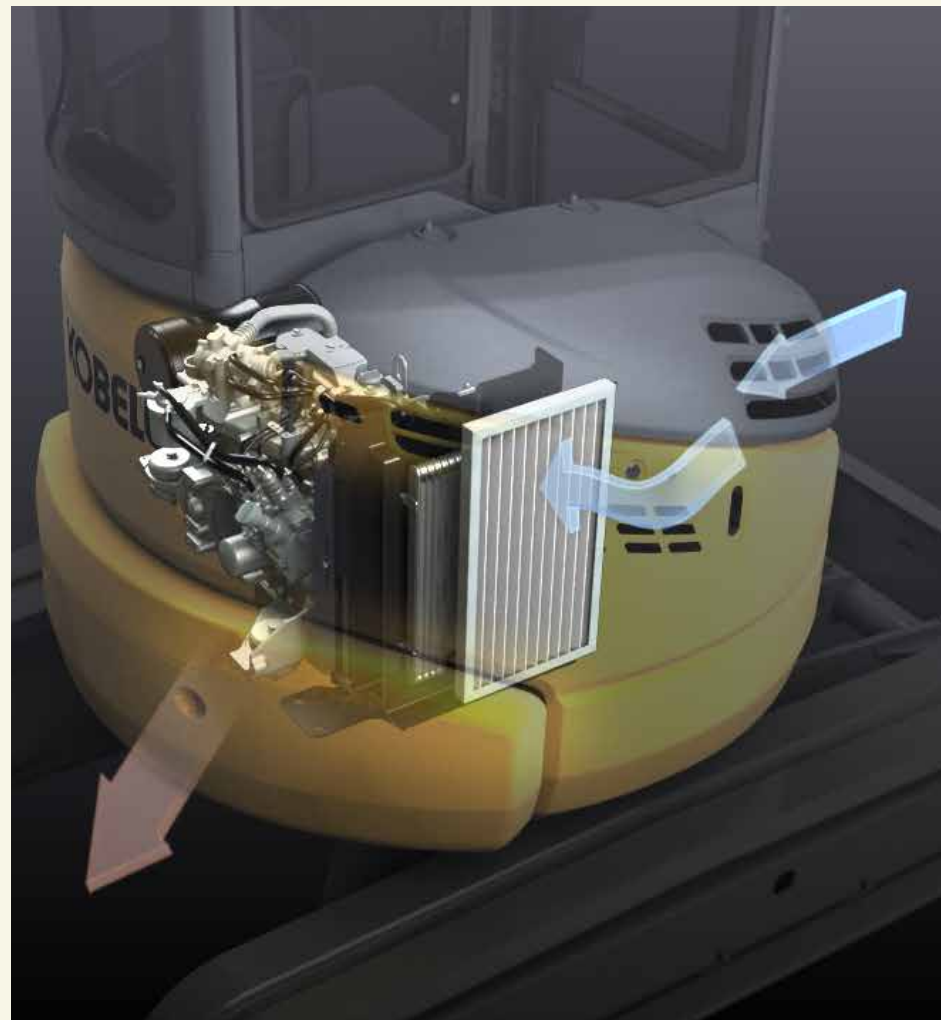
iNDr Filter Blocks Out Dust

Outside air goes directly from the intake duct through the iNDr filter for dust removal, protecting vital engine coolers in adverse conditions.



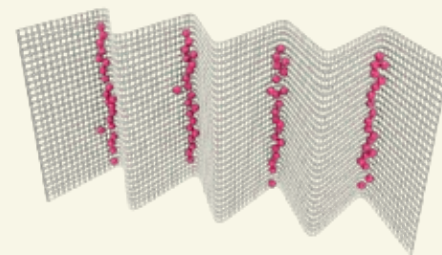
Visual Checking and Easy Cleaning

Because the iNDr filter removes dust from the intake air, cooling components stay dirt-free and do not require regular cleaning. The iNDr filter itself can be easily removed and cleaned without the use of tools.



iNDr Filter

The stainless-steel filter is extremely effective against dust, with 30-mesh wave-type screen that removes tiny dust particles from the intake air.

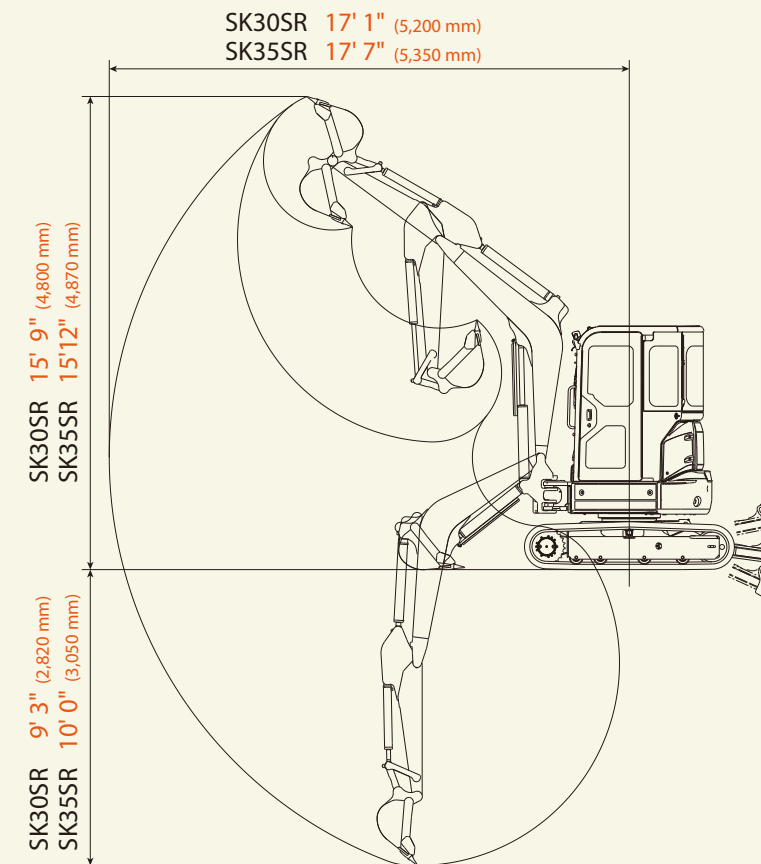


•30-mesh means that there are 30 holes formed by horizontal and vertical wires in every square inch of filter.

Compact, yet, Big Performance

Wide Working Range

A larger boom and arm are provided as standard equipment to ensure a wider working range.



Energy Conservation Mode

The SK30SR/SK35SR adapts S mode which enables 25 percent less fuel consumption compared with the previous model.



One Touch Deceleration

The SK30SR/SK35SR features one-touch deceleration. It allows easy switching to an idling mode, reducing fuel consumption while the machine is at rest. Under complete control of the operator.



Short Tail Swing

The compact tail swing improves operating efficiency in limited space.

Tail overhang:

SK30SR 0" (0 mm) [Standard weight]
4" (90 mm) [Additional weight]
SK35SR 0" (0 mm) [Standard weight]
4" (90 mm) [Additional weight]



Easy Transportability

With an overall cab height of 8' 3" (2,510 mm), the machine is designed for easy transport.



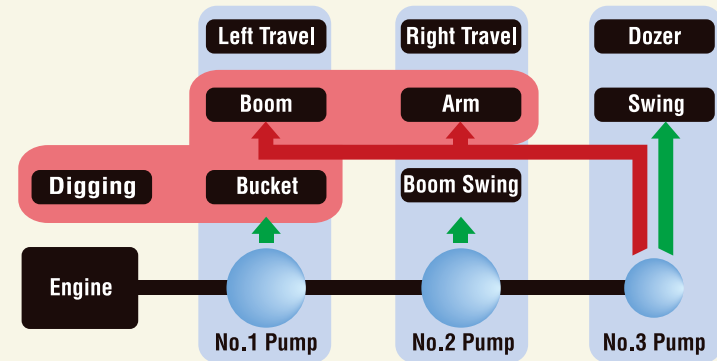
Overall height:
SK30SR/SK35SR
8' 3" (2,510 mm)

Fast, Full-Powered Digging and Leveling

Powerful Digging Performance

Integrated-Flow Pump System

The instant the machine begins to dig, extra output from the third pump (which otherwise powers the swing and dozer circuit) is directed to the arm circuit and boom circuit (raise) for added power. This ensures fast and smooth arm and boom raising operation even under heavy loads.



Large Capacity Engine

The large-capacity engine meets Tier IV final requirements and packs plenty power for outstanding hydraulic performance.



More Travel Power

Large Capacity Travel Torque

The large capacity travel torque enables the machine to perform spin turn in low mode and push heavy load in dozing.

Automatic Two-Speed Travel

An automatic shift function ensures smoother, more efficient travel on worksite.

Travel Switch

The travel lever is fitted with a button for easy switching to Hi-Mode travel.



Powerful and Efficient Dozer Performance

New Dozer-Blade Shape

KOBELCO's unique blade design solves this problem by forming the earth into an arc that always falls forward. Because this prevents earth from falling behind the blade, only "one pass" is needed.



Hydraulic Pilot-Controlled Dozer Operation Lever

The dozer lever features hydraulic pilot control for precise control.



New 4-way Blade Option

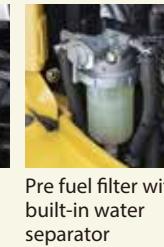
Brand new from KOBELCO is a 4-way blade option available on the SK30SR/SK35SR. Built-in the same durability as the standard blade, this 4-way option provides 25 to 25 degrees of left and right angle movement for clearing, grading and back-filling. The 4-way blade gives you better control for following changing terrain.



Easy Daily Maintenance

Start-up checks are essential for safe and reliable machine operation. All start-up checks can be performed at ground level, with an easy-to-understand layout and cover design that simplify access and save time.

Easy Access to Engine Compartment



Easy Access to Cooling Unit



Easy Access Electrical Component Under the Seat



Two-piece floor mats for easy washing

Comfortable Work Environment

Spacious Work Environment

The newly designed optional rectangular cab is optimized control layout for comfortable, easy operation. A greater window area further improves visibility. A clear view is provided at the rear, and there's also more floor space, with a seat that slides further to ensure plenty of leg room.

Easy Access

A wide-opening door and a left-hand tilting control console with a safety lever that rises high, make it much easier for operators to enter and exit the cab.



Cab is available only SK35SR as option.

Plenty of Foot Room

Generous space below, eases facilitates pedal operation.

Work Light

Lighting installed on the underside of the boom minimizes the risk of damage to it.



Standard Pattern Changer

Standard pattern changer allows for increased utilization and flexibility to match operator preference.



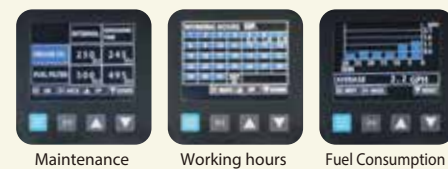
Control Lever

Precise proportional controls are integrated into the joystick for ease of operation.



Color Liquid Crystal Monitor (Optional)

The color liquid crystal monitor is fitted as option. Operation data as well as the full range of machine-status data can readily be checked.



Maintenance Working hours Fuel Consumption

Comfortable Operating Environment

Hammer for emergency exit



Climate control

The climate control system is located down and to the right of the seat, keeping the rear view clear.



Opening/closing front window

The front window features gas damper cylinders for smooth and easy opening and closing.



Coat hook



Room light



Vents to send cooled air toward the operator as needed.

Two-speaker FM/AM radio with station select



Operator Safety

Reliable Cab Structure

The high-strength cab meets ROPS and FOPS standards for greater operator safety.



Cab is optional for SK35SR.

Exclusive, Newly Designed ROPS/FOPS Canopy

The high-strength canopy meets ROPS ISO standards (ISO-12117-2 : 2008) and FOPS Level (ISO10262) standards for greater operator safety.



RELIABILITY

Reliable Construction

The boom, arm, and swing bracket all have large cross-section designs for added attachment strength.

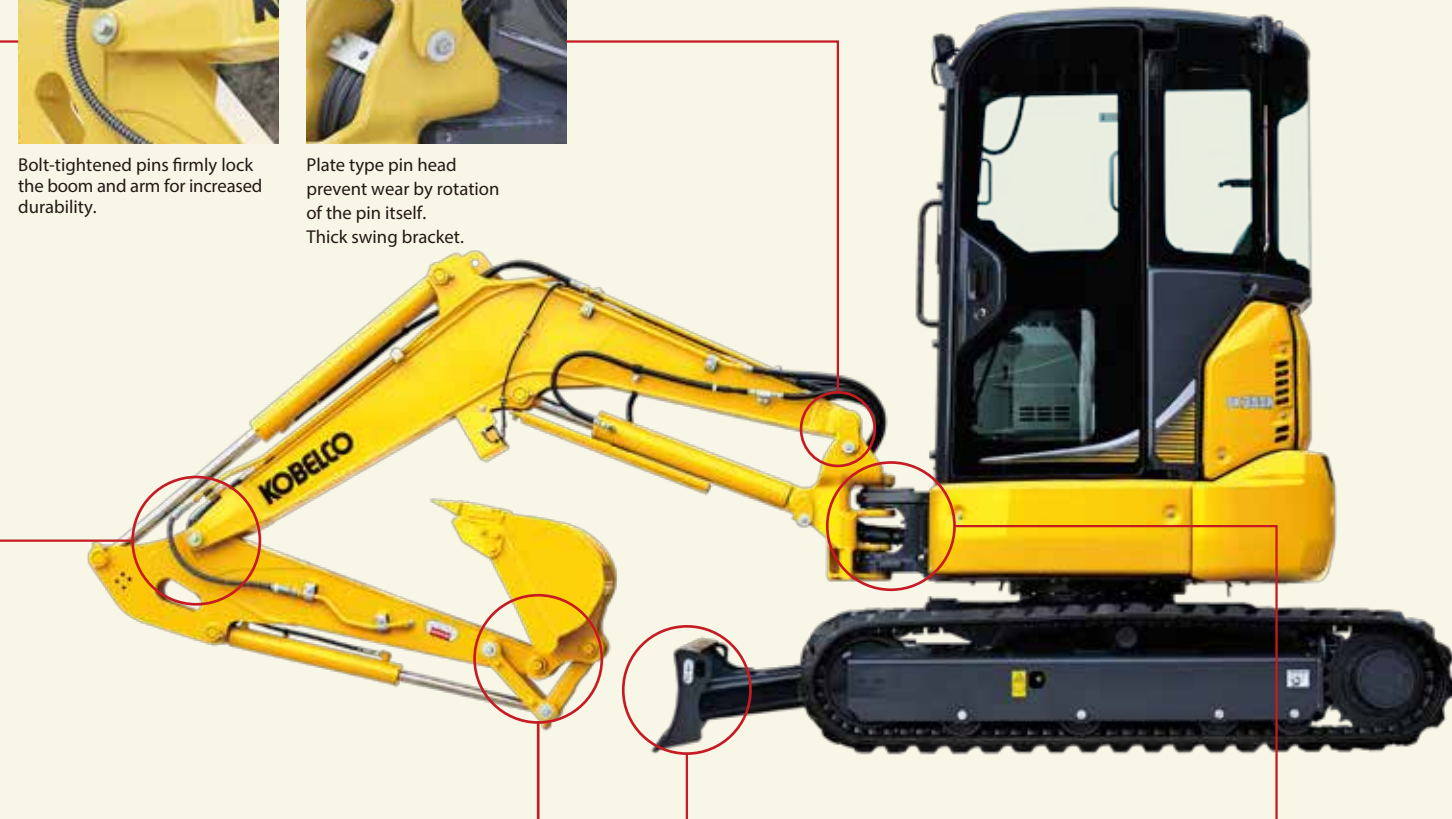
Strong boom and arm



Bolt-tightened pins firmly lock the boom and arm for increased durability.



Plate type pin head prevent wear by rotation of the pin itself. Thick swing bracket.



Bucket

Cast-iron idler links provide greater strength.



Dozer

Box construction dozer supports provide greater strength.



Swing bracket

Large, thick cast-iron swing bracket/front bracket.



Hydraulic piping

The hydraulic piping is housed inside the swing bracket for protection.

Accumulator for Emergency Attachment Lowering

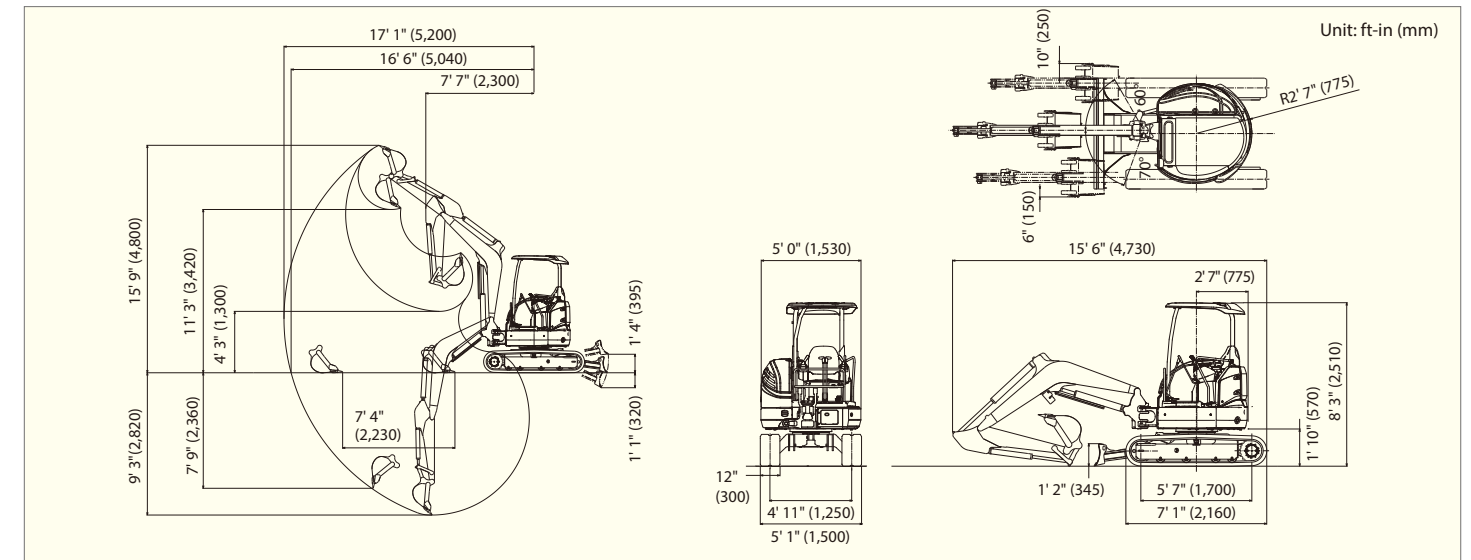
A newly installed accumulator allows the attachment to be safely lowered to the ground using in-cab controls in the event of an unexpected engine shut-down.

SK30SR SPECIFICATIONS

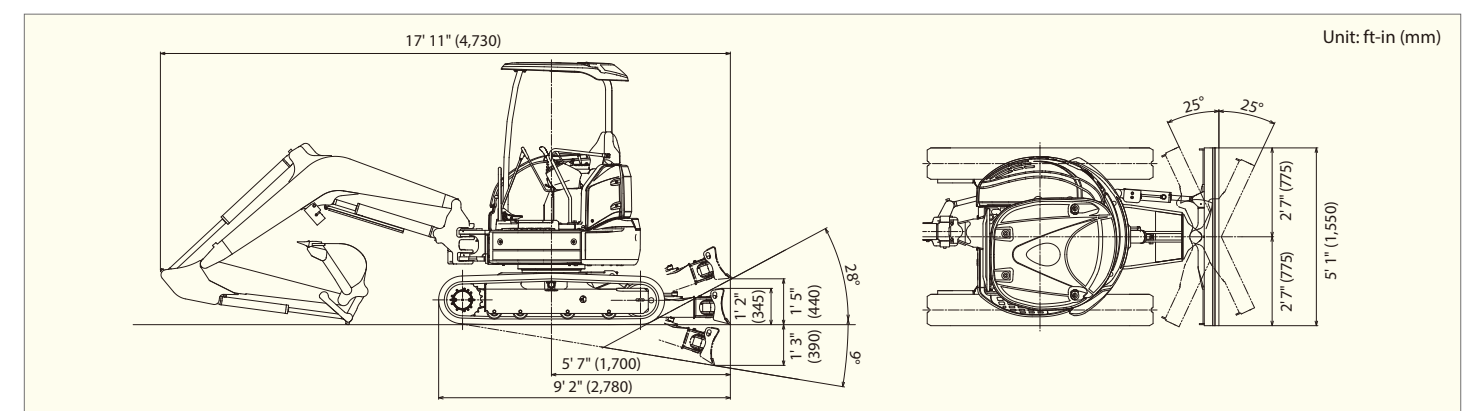
GENERAL			
MODEL		SK30SR	
Type		SK30SR-6E	
Machine Mass	Canopy	lbs (kg)	7,320 (3,320)
Bucket Capacity		cu ft (m ³)	3.18 (0.09)
Bucket Width (with side cutter)		ft-in (mm)	1' 8" (500)
Arm Length		ft-in (m)	4' 4" (1.32)
Bucket Digging Force (SAE J1179)		lbf (kN)	5,420 (24.1)
Bucket Digging Force (ISO 7451)		lbf (kN)	6,230 (27.7)
Arm Crowding Force (SAE J1179)		lbf (kN)	4,090 (18.2)
Arm Crowding Force (ISO 7451)		lbf (kN)	4,290 (19.1)
ENGINE			
Model		YANMAR 3TNV88F-E	
Type		Water cooled, 4-cycle, 3-cylinder, direct injection, diesel engine	
Power Output	hp (kW)/rpm	23 (17.2)/2,400 (SAE NET)	
Max. Torque	lbf-ft (N-m)/rpm	60 (81.7)/1,440	
Displacement	cu in (L)	100 (1,642)	
Fuel Tank	U. S. gal (L)	11.1 (42)	
HYDRAULIC SYSTEM			
Pump		Two variable displacement pumps + one gear pump	
Max. Discharge Flow	US gal (L)/min	2 x 10 (38.4)	
Relief Valve Setting (Excavating circuits)	psi (Mpa)	3,335 (23.0)	
Relief Valve Setting (Dozer circuit)	psi (Mpa)	3,335 (23.0)	
Hydraulic Oil Tank (system)	US gal (L)	5.4 (20.4) (11.8 (44.8))	
TRAVEL SYSTEM			
Travel Motors		2 x axial-piston, two-step motors	
Parking Brake		Oil disc brake per motor	
Travel Speed (high/low)	mph (km/h)	2.7 (4.4) / 1.6 (2.5)	
Drawbar Pulling Force (SAE)	Canopy	lbf (kN)	8,630 (38.4)

CRAWLER				
Shoe Width		in (mm)	11.8" (300)	
Ground Pressure	Canopy	Rubber	psi (kPa)	4.2 (28.9)
		Steel	psi (kPa)	4.3 (29.8)
DOZER BLADE				
Width x Height		ft-in (mm)	5' 1" (1,550) x 1' 2" (345)	
Working Ranges (height/depth)		ft-in (mm)	1' 4" (395) / 1' 1" (320)	
SWING SYSTEM				
Swing Motor		Axial piston motor		
Parking Brake		Oil disc brake, hydraulic operated automatically		
Swing Speed		min ⁻¹ (rpm)	8.4	
Tail Swing Radius		ft-in (mm)	2' 7" (775)	
Min. Front	Over the front	Canopy	ft-in (mm)	7' 7" (2,300)
Swing Radius	At full boom swing	Canopy	ft-in (mm)	7' 7" (2,300)
SIDE DIGGING MECHANISM				
Type		Boom swing		
Offset Angle	To the left	degree	70	
	To the right	degree	60	
HYDRAULIC P.T.O				
Specification	Output	PSI(Mpa)	US gal(L/min)	
			2,000 rpm	1,000 rpm
N&B		3,335(23.0)	12.7(48.0)	6.3(24.0)
Rotary		3,335(23.0)	4.2(16.0)	2.1(8.0)

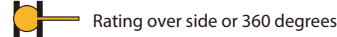
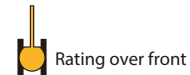
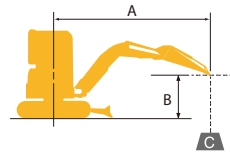
SK30SR WORKING RANGES & DIMENSIONS



SK30SR 4-WAY BLADE



LIFTING CAPACITIES



A: Reach from swing centerline to arm tip
 B: Arm tip height above/below ground
 C: lifting capacities in pounds
 Shoe: Rubber shoe Dozer blade: Down
 Relief valve setting: 3,335 psi (23 MPa)

SK305R Canopy		Arm: 4' 4" (1.32m), Without bucket, Shoe: 11.8" (300mm) STD. Counterweight										
		5'(1.5m)		7.5'(2.3m)		10'(3.0m)		12.5'(3.8m)		At Max. Reach		Radius
B	A											
12.5' (3.8 m)	lb (kg)									*1,810 (820)	1,120 (500)	10'10" (3.31 m)
10' (3.0 m)	lb (kg)							*1,700 (770)	880 (390)	*1,720 (780)	820 (370)	12'11" (3.94 m)
7.5' (2.3 m)	lb (kg)					*1,950 (880)	1,250 (560)	*1,750 (790)	870 (390)	*1,710 (770)	700 (310)	14'1" (4.30 m)
5' (1.5 m)	lb (kg)					*2,430 (1,100)	1,160 (520)	*1,940 (870)	830 (370)	*1,730 (780)	640 (290)	14'8" (4.47 m)
2.5' (0.8 m)	lb (kg)					*2,830 (1,280)	1,080 (480)	*2,110 (950)	790 (350)	*1,760 (790)	620 (280)	14'7" (4.46 m)
Ground Level	lb (kg)			*4,580 (2,070)	1,560 (700)	*2,970 (1,340)	1,040 (470)	*2,160 (970)	760 (340)	*1,790 (810)	650 (290)	14'1" (4.30 m)
-2.5' (-0.8 m)	lb (kg)	*4,430 (2,000)	3,220 (1,460)	*4,090 (1,850)	1,580 (710)	*2,770 (1,250)	1,030 (460)	*1,950 (880)	770 (340)	*1,800 (810)	740 (330)	12'10" (3.93 m)
-5' (-1.5 m)	lb (kg)	*4,890 (2,210)	3,300 (1,490)	*3,070 (1,390)	1,630 (730)	*2,060 (930)	1,070 (480)			*1,710 (770)	970 (430)	10'9" (3.28 m)

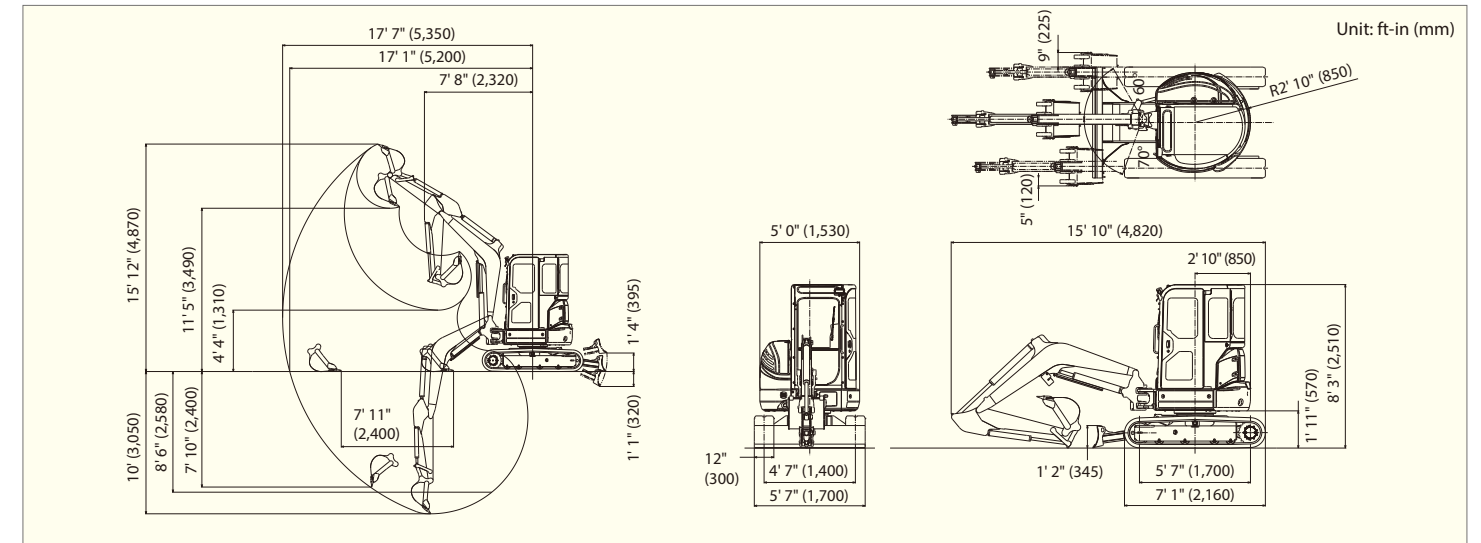
SK305R Canopy		Arm: 4' 4" (1.32m), Without bucket, Shoe: 11.8" (300mm) Heavy Counterweight (+551lb/250kg)										
		5'(1.5m)		7.5'(2.3m)		10'(3.0m)		12.5'(3.8m)		At Max. Reach		Radius
B	A											
12.5' (3.8 m)	lb (kg)									*1,810 (820)	1,320 (590)	10'10" (3.31 m)
10' (3.0 m)	lb (kg)							*1,700 (770)	1,050 (470)	*1,720 (780)	990 (440)	12'11" (3.94 m)
7.5' (2.3 m)	lb (kg)					*1,950 (880)	1,470 (660)	*1,750 (790)	1,030 (460)	*1,710 (770)	840 (380)	14'1" (4.30 m)
5' (1.5 m)	lb (kg)					*2,430 (1,100)	1,380 (620)	*1,940 (870)	990 (440)	*1,730 (780)	780 (350)	14'8" (4.47 m)
2.5' (0.8 m)	lb (kg)					*2,830 (1,280)	1,300 (580)	*2,110 (950)	960 (430)	*1,760 (790)	760 (340)	14'7" (4.46 m)
Ground Level	lb (kg)			*4,580 (2,070)	1,890 (850)	*2,970 (1,340)	1,260 (570)	*2,160 (970)	930 (420)	*1,790 (810)	790 (350)	14'1" (4.30 m)
-2.5' (-0.8 m)	lb (kg)	*4,430 (2,000)	3,850 (1,740)	*4,090 (1,850)	1,910 (860)	*2,770 (1,250)	1,250 (560)	*1,950 (880)	930 (420)	*1,800 (810)	900 (400)	12'10" (3.93 m)
-5' (-1.5 m)	lb (kg)	*4,890 (2,210)	3,940 (1,780)	*3,070 (1,390)	1,960 (880)	*2,060 (930)	1,290 (580)			*1,710 (770)	1,170 (530)	10'9" (3.28 m)

SK35SR SPECIFICATIONS

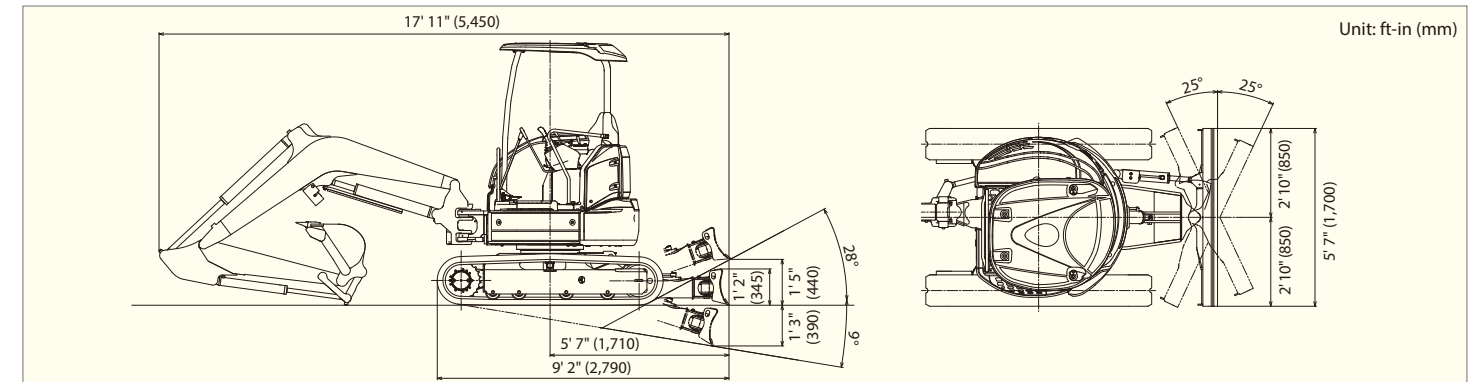
GENERAL			SK35SR	
MODEL			SK35SR-6E	
Type			SK35SR-6E	
Machine Mass	Cab	lbs (kg)	8,555 (3,880)	
	Canopy	lbs (kg)	8,214 (3,725)	
Bucket Capacity		cu ft (m³)	3.88 (0.11)	
Bucket Width (with side cutter)		ft-in (mm)	1' 12" (600)	
Arm Length		ft-in (m)	4' 6" (1.37)	
Bucket Digging Force (SAE J1179)		lbf (kN)	5,418 (24.1)	
			7,216 (32.1): Two pin bucket	
			6,250 (27.8)	
Bucket Digging Force (ISO 7451)		lbf (kN)	8,588 (38.2): Two pin bucket	
Arm Crowding Force (SAE J1179)		lbf (kN)	4,810 (21.4)	
Arm Crowding Force (ISO 7451)		lbf (kN)	5,058 (22.5)	
ENGINE			YANMAR 3TNV88F-E	
Model			Water cooled, 4-cycle, 3-cylinder, direct injection, diesel engine	
Type			23.1 (17.2)/2,400 (SAE NET)	
Power Output		hp (kW)/rpm	60 (81.7)	
Max. Torque		lb-ft (N-m)/rpm	100.2 (1.642)	
Displacement		cu in (L)	11 (42)	
Fuel Tank		U. S. gal (L)	Two variable displacement pumps + two gear pumps (one for pilot)	
HYDRAULIC SYSTEM			2 x 10.1 (38.4) 5.1 (19.2) 2.9 (10.8)	
Pump		US gal (L)/min	3,335 (23.0)	
Max. Discharge Flow		psi (Mpa)	3,335 (23.0)	
Relief Valve Setting (Excavating circuits)		psi (Map)	3,335 (23.0)	
Relief Valve Setting (Dozer circuit)		psi (Map)	5.4 (20.4) (11.8 (44.8))	
Hydraulic Oil Tank (system)		US gal (L)		
TRAVEL SYSTEM			2 x axial-piston, two-step motors	
Travel Motors			Oil disc brake per motor	
Parking Brake			2.7 (4.4) / 1.6 (2.5)	
Travel Speed (high/low)		mph (km/h)	8,565 (38.1)	
Drawbar Pulling Force (SAE)		Cab lbf (kN)	8,587 (38.2)	
		Canopy lbf (kN)		

CRAWLER			
Shoe Width		in (mm)	11.8" (300)
Ground Pressure	Cab	Rubber	psi (kPa) 4.9 (33.8)
		Steel	psi (kPa) 5.0 (34.6)
	Canopy	Rubber	psi (kPa) 4.7 (32.4)
		Steel	psi (kPa) 4.8 (33.2)
DOZER BLADE			
Width x Height		ft-in (mm)	5' 7" (1,700) x 1' 2" (345)
Working Ranges (height/depth)		ft-in (mm)	1' 4" (395) / 1' 1" (320)
SWING SYSTEM			
Swing Motor		Axial piston motor	
Parking Brake		Oil disc brake, hydraulic operated automatically	
Swing Speed		min ⁻¹ (rpm)	8.4
Tail Swing Radius		ft-in (mm)	2' 10" (850)
Min. Front Swing Radius	Over the front	Cab	ft-in (mm) 7' 7" (2,320)
		Canopy	ft-in (mm) 7' 7" (2,320)
	At full boom swing	Cab	ft-in (mm) 6' 4" (1,930)
		Canopy	ft-in (mm) 6' 4" (1,930)
SIDE DIGGING MECHANISM			
Type		Boom swing	
Offset Angle	To the left	degree	70
	To the right	degree	60
HYDRAULIC P.T.O			
Output		PSI(Mpa)	US gal(L/min)
Specification	N&B	2,000 rpm	1,000 rpm
		3,335(23.0)	6.3(24.0)
Rotary		4.2(16.0)	2.1(8.0)

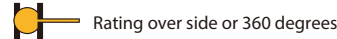
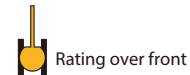
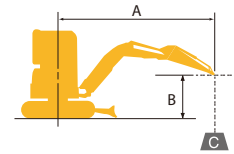
SK35SR WORKING RANGES & DIMENSIONS



SK35SR 4-WAY BLADE



LIFTING CAPACITIES

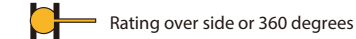
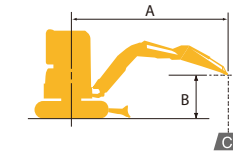


A: Reach from swing centerline to arm tip
 B: Arm tip height above/below ground
 C: lifting capacities in pounds
 Shoe: Rubber shoe Dozer blade: Down
 Relief valve setting: 3,335 psi (23 MPa)

SK35SR Cab		Arm: 5' 6" (1.67m), Without bucket, Shoe: 11.8" (300mm) Heavy Counterweight (+551lb/250kg)												
A		5'(1.5m)		7.5'(2.3m)		10'(3.0m)		12.5'(3.8m)		15'(4.6m)		At Max. Reach		Radius
B		lb	kg	lb	kg	lb	kg	lb	kg	lb	kg	lb	kg	
12.5' (3.8 m)	lb (kg)							*1,560 (700)	*1,560 (700)			*1,610 (730)	1,490 (670)	12'10" (3.92 m)
10' (3.0 m)	lb (kg)							*1,490 (670)	*1,490 (670)			*1,550 (700)	1,210 (540)	14'7" (4.45 m)
7.5' (2.3 m)	lb (kg)							*1,650 (740)	1,540 (690)	*1,620 (730)	1,150 (520)	*1,520 (680)	1,080 (480)	15'7" (4.76 m)
5' (1.5 m)	lb (kg)			*3,460 (1,560)	3,190 (1,440)	*2,340 (1,060)	2,060 (930)	*1,920 (870)	1,480 (670)	*1,720 (780)	1,130 (510)	*1,550 (700)	1,010 (450)	16'1" (4.90 m)
2.5' (0.8 m)	lb (kg)			*4,860 (2,200)	2,960 (1,340)	*2,940 (1,330)	1,960 (880)	*2,210 (1,000)	1,430 (640)	*1,840 (830)	1,100 (490)	*1,640 (740)	1,000 (450)	16'1" (4.90 m)
Ground Level	lb (kg)	*2,350 (1,060)	*2,350 (1,060)	*5,250 (2,380)	2,880 (1,300)	*3,280 (1,480)	1,890 (850)	*2,400 (1,080)	1,390 (630)	*1,900 (860)	1,090 (490)	*1,800 (810)	1,030 (460)	15'7" (4.75 m)
-2.5' (-0.8 m)	lb (kg)	*4,150 (1,880)	*4,150 (1,880)	*5,060 (2,290)	2,870 (1,300)	*3,310 (1,500)	1,870 (840)	*2,400 (1,080)	1,380 (620)			*1,870 (840)	1,130 (510)	14'6" (4.44 m)
-5' (-1.5 m)	lb (kg)	*6,400 (2,900)	6,060 (2,740)	*4,400 (1,990)	2,900 (1,310)	*2,960 (1,340)	1,890 (850)	*2,050 (920)	1,400 (630)			*1,930 (870)	1,360 (610)	12'9" (3.90 m)
-7.5' (-2.3 m)	lb (kg)	*5,020 (2,270)	*5,020 (2,270)	*2,950 (1,330)	*2,950 (1,330)							*1,880 (850)	*1,880 (850)	9'9" (2.98 m)

SK35SR Canopy		Arm: 5' 6" (1.67m), Without bucket, Shoe: 11.8" (300mm) Heavy Counterweight (+551lb/250kg)												
A		5'(1.5m)		7.5'(2.3m)		10'(3.0m)		12.5'(3.8m)		15'(4.6m)		At Max. Reach		Radius
B		lb	kg	lb	kg	lb	kg	lb	kg	lb	kg	lb	kg	
12.5' (3.8 m)	lb (kg)							*1,560 (700)	1,510 (680)			*1,610 (730)	1,440 (650)	12'10" (3.92 m)
10' (3.0 m)	lb (kg)							*1,490 (670)	*1,490 (670)			*1,550 (700)	1,170 (530)	14'7" (4.45 m)
7.5' (2.3 m)	lb (kg)							*1,650 (740)	1,480 (670)	*1,620 (730)	1,110 (500)	*1,520 (680)	1,030 (460)	15'7" (4.76 m)
5' (1.5 m)	lb (kg)			*3,460 (1,560)	3,080 (1,390)	*2,340 (1,060)	1,990 (900)	*1,920 (870)	1,430 (640)	*1,720 (780)	1,090 (490)	*1,550 (700)	970 (430)	16'1" (4.90 m)
2.5' (0.8 m)	lb (kg)			*4,860 (2,200)	2,850 (1,290)	*2,940 (1,330)	1,880 (850)	*2,210 (1,000)	1,380 (620)	*1,840 (830)	1,060 (480)	*1,640 (740)	960 (430)	16'1" (4.90 m)
Ground Level	lb (kg)	*2,350 (1,060)	*2,350 (1,060)	*5,250 (2,380)	2,770 (1,250)	*3,280 (1,480)	1,820 (820)	*2,400 (1,080)	1,340 (600)	*1,900 (860)	1,040 (470)	*1,800 (810)	990 (440)	15'7" (4.75 m)
-2.5' (-0.8 m)	lb (kg)	*4,150 (1,880)	*4,150 (1,880)	*5,060 (2,290)	2,760 (1,250)	*3,310 (1,500)	1,800 (810)	*2,400 (1,080)	1,320 (590)			*1,870 (840)	1,080 (480)	14'6" (4.44 m)
-5' (-1.5 m)	lb (kg)	*6,400 (2,900)	5,840 (2,640)	*4,400 (1,990)	2,790 (1,260)	*2,960 (1,340)	1,810 (820)	*2,050 (920)	1,340 (600)			*1,930 (870)	1,300 (580)	12'9" (3.90 m)
-7.5' (-2.3 m)	lb (kg)	*5,020 (2,270)	*5,020 (2,270)	*2,950 (1,330)	2,880 (1,300)							*1,880 (850)	*1,880 (850)	9'9" (2.98 m)

LIFTING CAPACITIES



A: Reach from swing centerline to arm tip
 B: Arm tip height above/below ground
 C: lifting capacities in pounds
 Shoe: Rubber shoe Dozer blade: Down
 Relief valve setting: 3,335 psi (23 MPa)

SK35SR Cab		Arm: 4' 6" (1.37 m), Without bucket, Shoe: 11.8" (300 mm) Heavy Counterweight (+551lb/250kg)												
A		5'(1.5m)		7.5'(2.3m)		10'(3.0m)		12.5'(3.8m)		15'(4.6m)		At Max. Reach		Radius
B		lb	kg	lb	kg	lb	kg	lb	kg	lb	kg	lb	kg	
12.5' (3.8 m)	lb (kg)											*1,820 (820)	1,750 (790)	11'6" (3.52 m)
10' (3.0 m)	lb (kg)									*1,730 (780)	1,560 (700)	*1,790 (810)	1,360 (610)	13'6" (4.12 m)
7.5' (2.3 m)	lb (kg)							*2,040 (920)	*2,040 (920)	*1,850 (830)	1,530 (690)	*1,810 (820)	1,190 (530)	14'7" (4.46 m)
5' (1.5 m)	lb (kg)			*4,190 (1,900)	3,100 (1,400)	*2,630 (1,190)	2,040 (920)	*2,090 (940)	1,480 (670)	*1,860 (840)	1,130 (510)	*1,850 (830)	1,110 (500)	15'1" (4.62 m)
2.5' (0.8 m)	lb (kg)			*3,780 (1,710)	2,930 (1,320)	*3,140 (1,420)	1,950 (880)	*2,330 (1,050)	1,430 (640)	*1,920 (870)	1,110 (500)	*1,900 (860)	1,100 (490)	15'1" (4.62 m)
Ground Level	lb (kg)			*5,230 (2,370)	2,900 (1,310)	*3,360 (1,520)	1,900 (860)	*2,460 (1,110)	1,400 (630)			*1,970 (890)	1,140 (510)	14'7" (4.45 m)
-2.5' (-0.8 m)	lb (kg)	*4,860 (2,200)	*4,860 (2,200)	*4,830 (2,190)	2,910 (1,310)	*3,250 (1,470)	1,900 (860)	*2,350 (1,060)	1,400 (630)			*2,030 (920)	1,270 (570)	13'5" (4.11 m)
-5' (-1.5 m)	lb (kg)	*6,720 (3,040)	6,180 (2,800)	*3,940 (1,780)	2,960 (1,340)	*2,690 (1,220)	1,930 (870)					*2,060 (930)	1,600 (720)	11'6" (3.50 m)
-7.5' (-2.3 m)	lb (kg)			*1,840 (830)	*1,840 (830)							*1,740 (780)	*1,740 (780)	7'8" (2.35 m)

SK35SR Canopy		Arm: 4' 6" (1.37 m), Without bucket, Shoe: 11.8" (300 mm) Heavy Counterweight (+551lb/250kg)												
A		5'(1.5m)		7.5'(2.3m)		10'(3.0m)		12.5'(3.8m)		15'(4.6m)		At Max. Reach		Radius
B		lb	kg	lb	kg	lb	kg	lb	kg	lb	kg	lb	kg	
12.5' (3.8 m)	lb (kg)											*1,820 (820)	1,690 (760)	11'6" (3.52 m)
10' (3.0 m)	lb (kg)									*1,730 (780)	1,500 (680)	*1,790 (810)	1,310 (590)	13'6" (4.12 m)
7.5' (2.3 m)	lb (kg)							*2,040 (920)	*2,040 (920)	*1,850 (830)	1,470 (660)	*1,810 (820)	1,150 (520)	14'7" (4.46 m)
5' (1.5 m)	lb (kg)			*4,190 (1,900)	2,990 (1,350)	*2,630 (1,190)	1,970 (890)	*2,090 (940)	1,430 (640)	*1,860 (840)	1,090 (490)	*1,850 (830)	1,070 (480)	15'1" (4.62 m)
2.5' (0.8 m)	lb (kg)			*3,780 (1,710)	2,820 (1,270)	*3,140 (1,420)	1,880 (850)	*2,330 (1,050)	1,380 (620)	*1,920 (870)	1,070 (480)	*1,900 (860)	1,050 (470)	15'1" (4.62 m)
Ground Level	lb (kg)			*5,230 (2,370)	2,790 (1,260)	*3,360 (1,520)	1,830 (830)	*2,460 (1,110)	1,350 (610)			*1,970 (890)	1,100 (490)	14'7" (4.45 m)
-2.5' (-0.8 m)	lb (kg)	*4,860 (2,200)	*4,860 (2,200)	*4,830 (2,190)	2,800 (1,270)	*3,250 (1,470)	1,820 (820)	*2,350 (1,060)	1,350 (610)			*2,030 (920)	1,220 (550)	13'5" (4.11 m)
-5' (-1.5 m)	lb (kg)	*6,720 (3,040)	5,960 (2,700)	*3,940 (1,780)	2,850 (1,290)	*2,690 (1,220)	1,850 (830)					*2,060 (930)	1,540 (690)	11'6" (3.50 m)
-7.5' (-2.3 m)	lb (kg)			*1,840 (830)	*1,840 (830)							*1,740 (780)	*1,740 (780)	7'8" (2.35 m)

Notes:

- Do not attempt to lift or hold any load that is greater than these lift capacities at their specified lift point radius and heights. Weight of all accessories must be deducted from the above lift capacities.
- Lift capacities are based on machine standing on level, firm, and uniform ground. User must make allowance for job conditions such as soft or uneven ground, out of level conditions, side loads, sudden stopping of loads, hazardous conditions, experience of personnel, etc.
- Arm tip defined as lift point.
- The above lifting capacities are in compliance with ISO 10567. They do not exceed 87% of hydraulic lifting capacity or 75% of tipping load. Lifting capacities marked with an asterisk (*) are limited by hydraulic capacity rather than tipping load. The excavator bucket weight is not included on this chart. Lifting capacities are for standard arm.
- Operator should be fully acquainted with the Operator's and Maintenance Instructions before operating this machine. Rules for safe operation of equipment should be adhered to at all times.
- Lift capacities apply to only machine as originally manufactured and normally equipped by KOBELCO CONSTRUCTION MACHINERY CO., LTD.