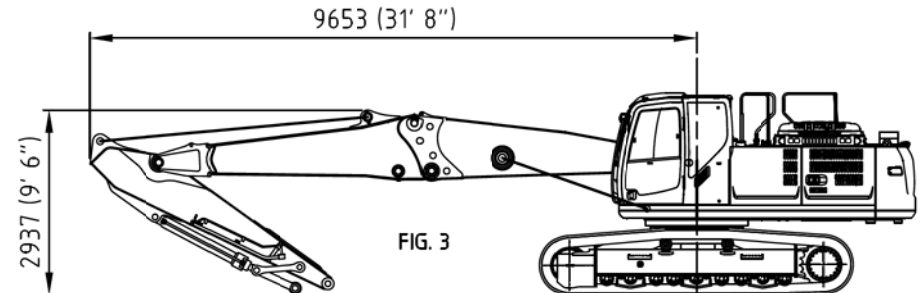
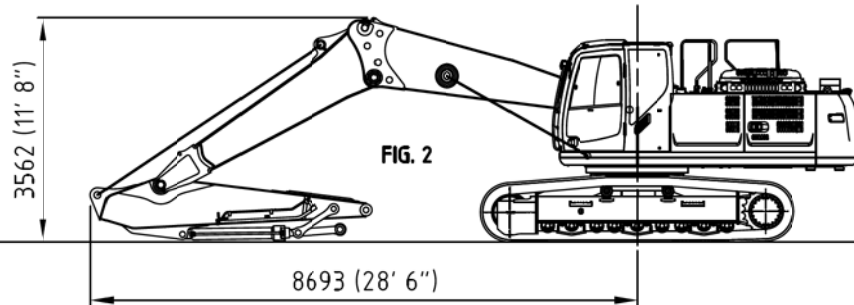
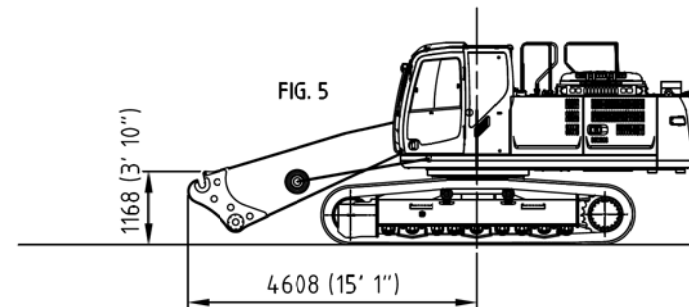
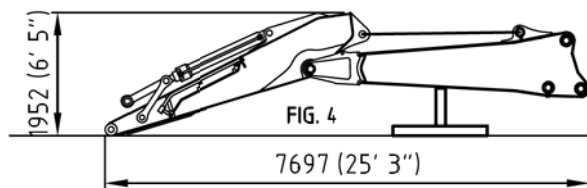


**BASE MACHINE (INC STD EQUIPMENT - FIG. 1-3)**  
**CALCULATED APPROX WEIGHT = 42,090 kg (92,792 lb)**  
 INCLUDES: - KOBELCO SK350LC-9 BASE MACHINE (800mm SHOES), ALL FLUIDS, UPRATED HOIST CYLS, BASE BOOM ASSY, TOP STD BOOM ASSY, OEM DIPPER CYL, OEM DIPPER, OEM ATTACHMENT CYL AND LINKAGE.  
 TILTING CAB & GUARD (SUPPLIED BY COMPANY WRENCH) - 1361 kg (3000 lb)  
 ADDITIONAL C/WT (SUPPLIED BY COMPANY WRENCH) - 3593 kg (7920 lb)



**FRONT EQUIPMENT (FIG. 4)**  
**CALCULATED APPROX WEIGHT = 4590 kg (10,119 lb)**  
 INCLUDES: - A-FRAME (135 kg / 298 lb), TOP STANDARD BOOM, OEM DIPPER, OEM DIPPER CYL, OEM ATTACHMENT CYLINDER AND LINKAGE.

**BASE MACHINE (INC STD EQUIPMENT - FIG. 5)**  
**CALCULATED APPROX WEIGHT = 37,638 kg (82,977 lb)**  
 INCLUDES: - KOBELCO SK350LC-9 BASE MACHINE (800mm SHOES), ALL FLUIDS, UPRATED HOIST CYLS AND BASE BOOM ASSY.  
 TILTING CAB & GUARD (SUPPLIED BY COMPANY WRENCH) - 1361 kg (3000 lb)  
 ADDITIONAL C/WT (SUPPLIED BY COMPANY WRENCH) - 3593 kg (7920 lb)



**NOTES:**

1. ALL WEIGHTS AND DIMENSIONS APPROXIMATE - BASE MACHINE INFORMATION BASED ON OEM DATA.

2. FOR ADDITIONAL UNMODIFIED BASE MACHINE DATA SEE OEM LITERATURE.

				<b>CONFIDENTIAL</b> <small>This drawing embodies confidential information, the property of KOCUREK EXCAVATORS Ltd., to whom the copyright belongs. This drawing may not be copied or used for any purpose other than that for which it was made available except with the prior written consent of KOCUREK EXCAVATORS Ltd., &amp; provision of this drawing does not grant any rights under any industrial property rights of KOCUREK EXCAVATORS Ltd., nor of any third party.</small>		<b>DIMENSIONS WITHOUT TOLERANCES</b> X.X ±2.0 X.XX ±0.5 X.XXX ±0.2 ANGLES ±1°		<b>ALL DIMS IN mm UNLESS OTHERWISE STATED</b>		<b>SCALE NTS</b> IF IN DOUBT ASK DO NOT SCALE		<b>DRAWN HAB</b> <b>DATE</b> 01/12/16 <b>MATERIAL</b> <b>FINISH</b>		<b>TITLE DATASHEET - TRANSPORT BASE MACHINE &amp; M/J KOBELCO SK350LC-9</b> <b>DRG. NO. 21061253</b> <b>SHT 1 OF 2</b>	
1	01/12/16	-	HAB	24 Arkwright Road Hadleigh Road Industrial Estate Ipswich IP2 0UB ENGLAND Tel. +44 (0)1473 217477											