

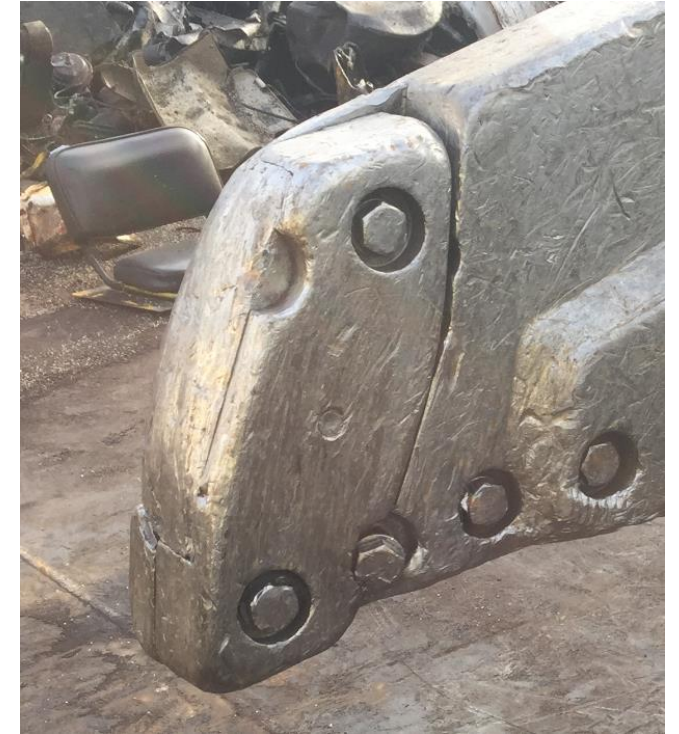
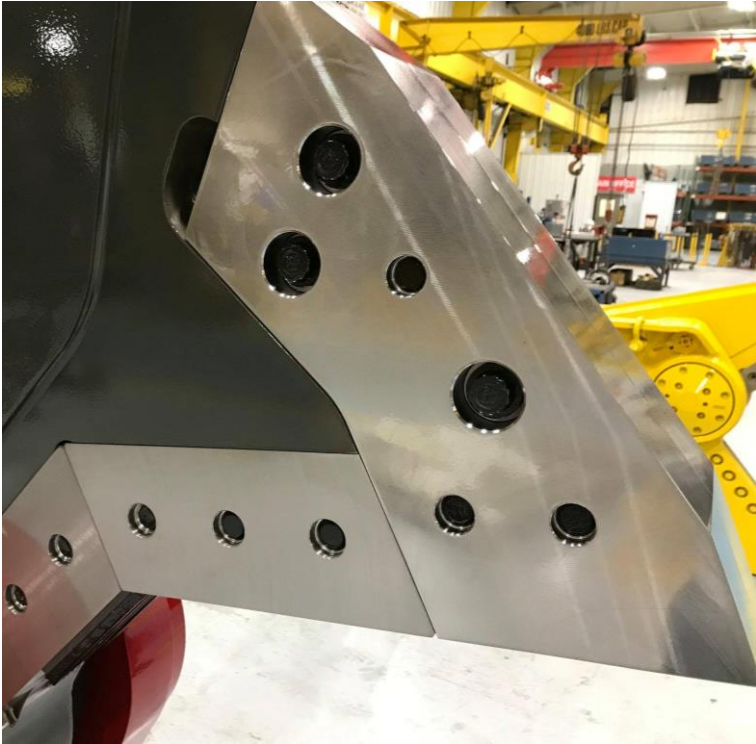
**INTRODUCING
YOUR TWO NEW
BEST FRIENDS**





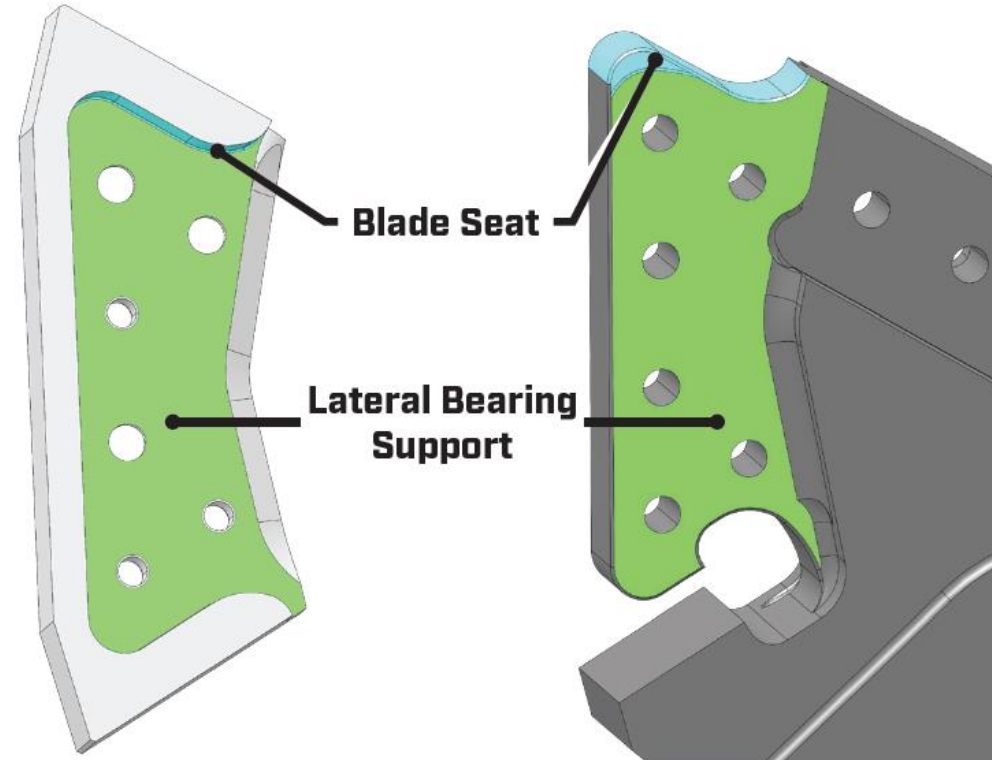
LaBounty **SHEAR INTRODUCTION**

REDUCING UPPER MATERIAL WEAR





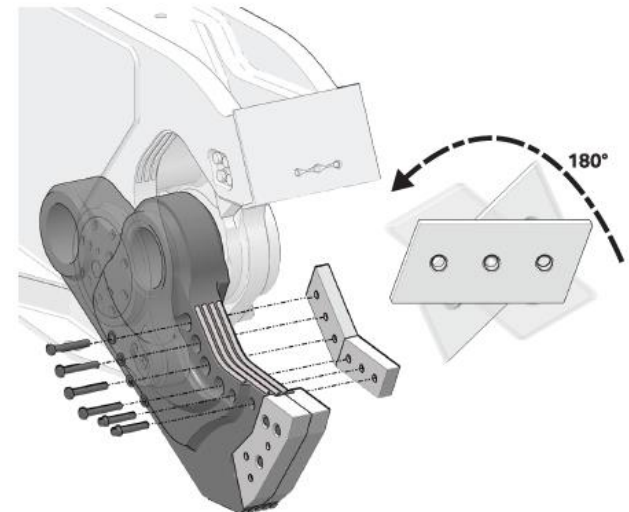
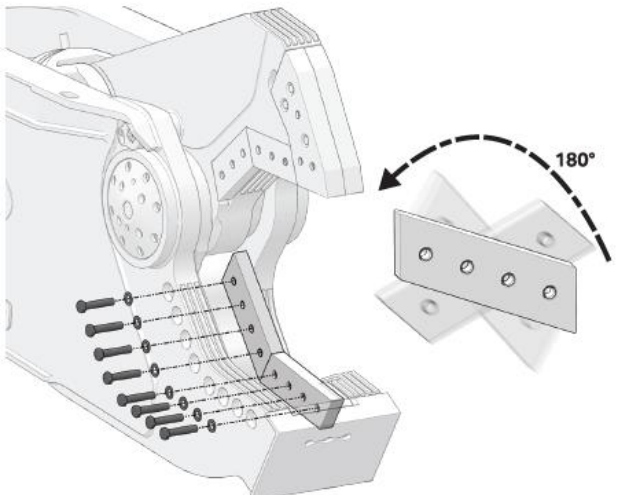
LaBounty **SHEAR INTRODUCTION**



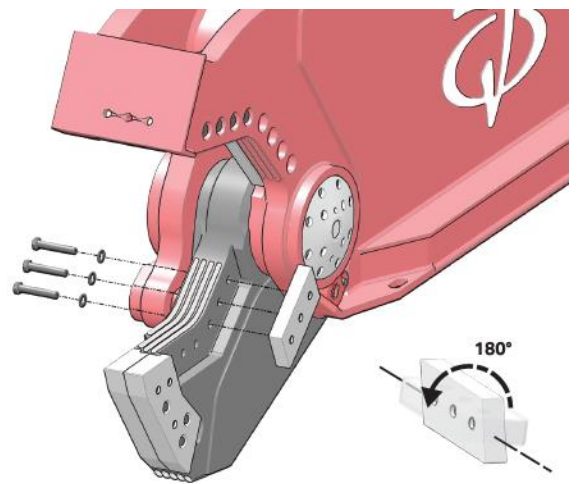
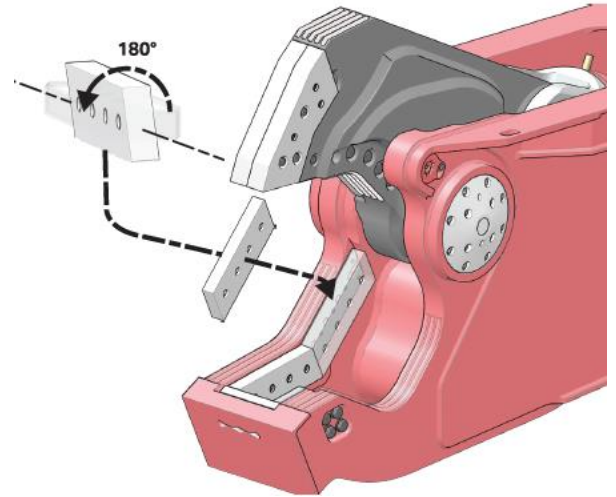


LaBounty **SHEAR INTRODUCTION**

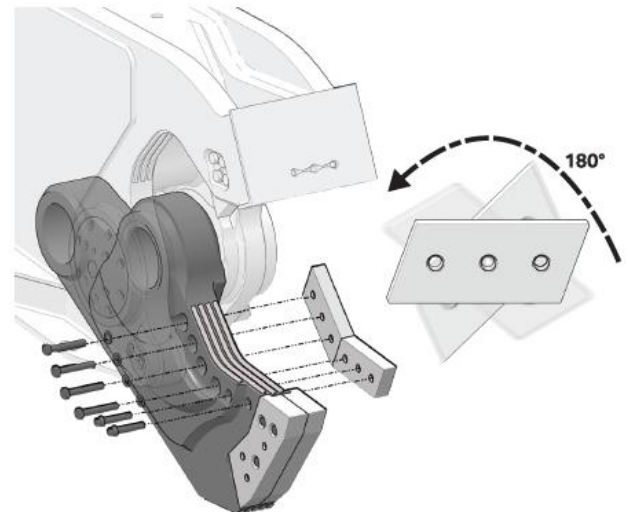
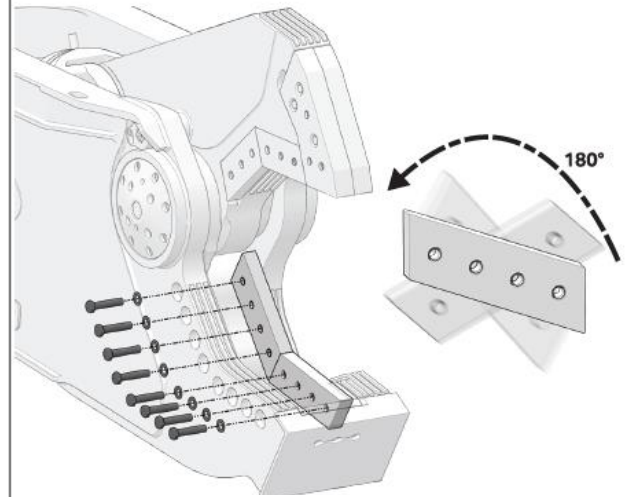
1ST ROTATION



2ND ROTATION

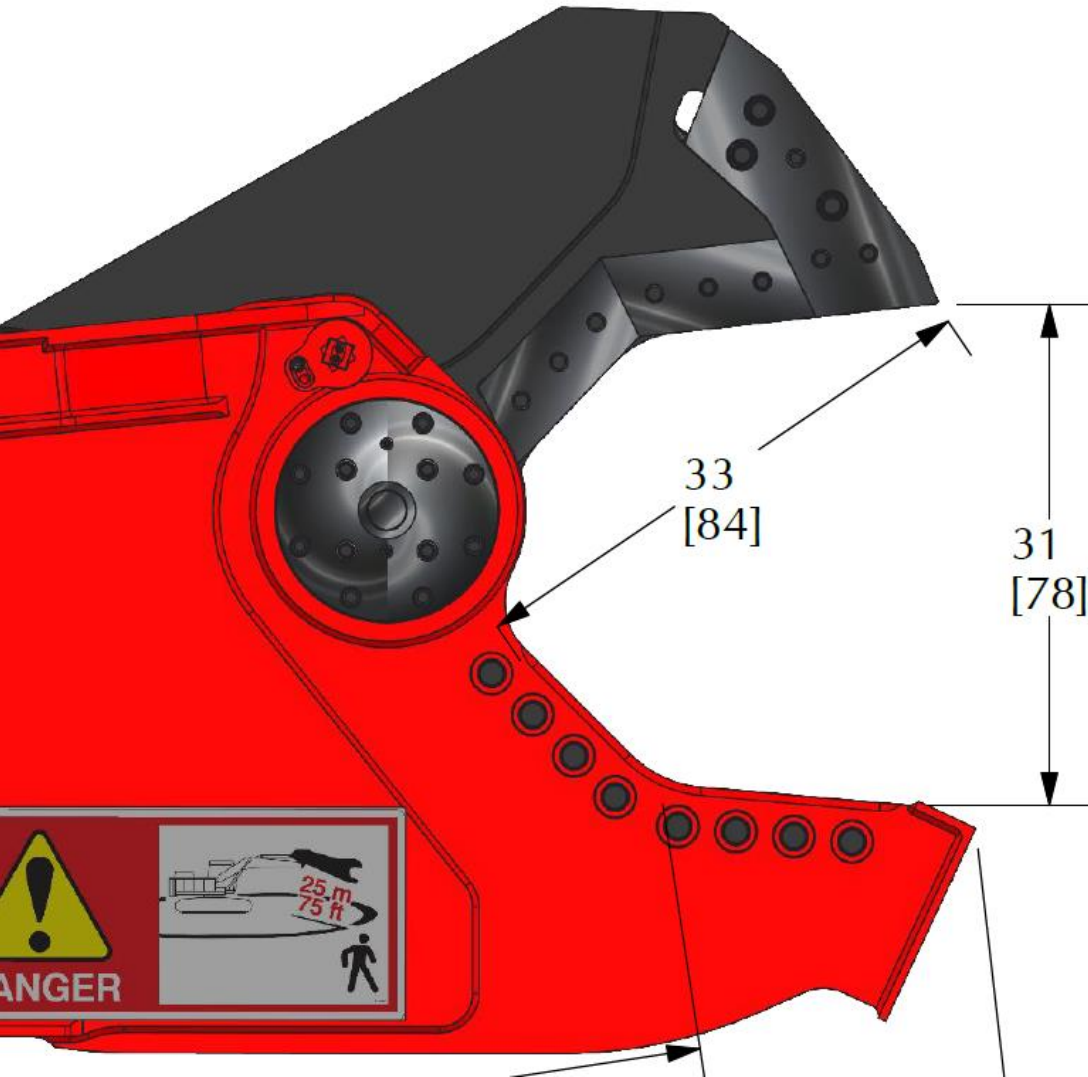


3RD ROTATION





LaBounty **SHEAR INTRODUCTION**



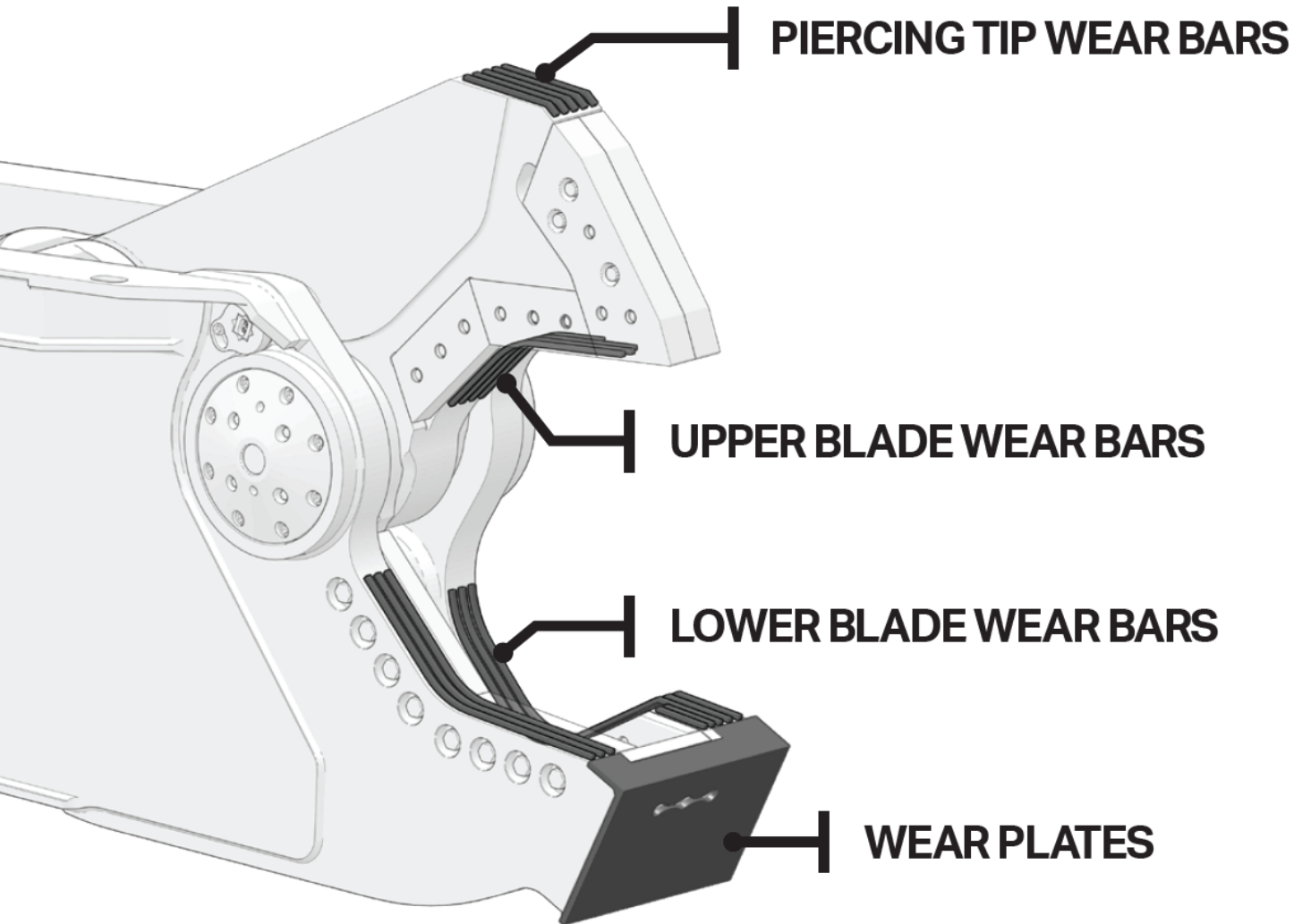
10% INCREASED CUTTING FORCE

THE NEW MSD HAS ENHANCED JAW GEOMETRY
RESULTING IN **10% MORE** CUTTING
FORCE AT THE APEX COMPARED TO PRIOR MODEL



LaBounty

SHEAR INTRODUCTION



Location of Wear Bars & Plates

CONSUMABLE ITEMS

BLADE KIT OPTIONS

- FULL BLADE KIT = 227085
- CUTTING BLADE KIT = 227086
- TIP BLADE KIT = 227087

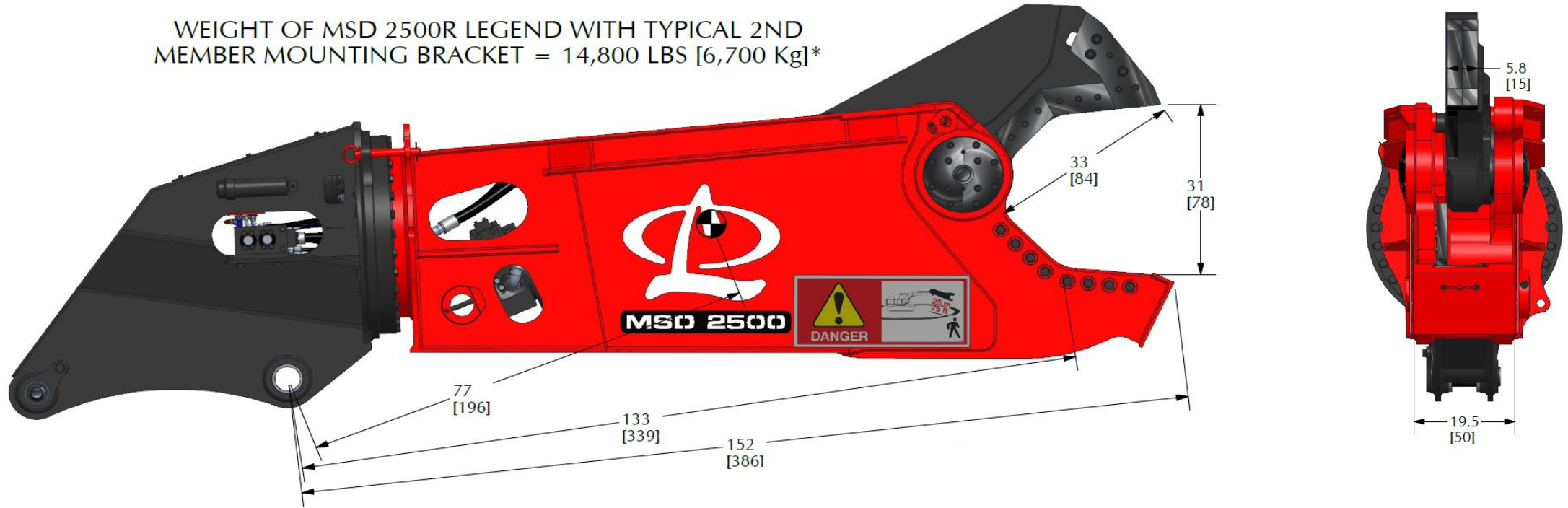
WEAR KIT OPTIONS (SPECIFIED AT ORDER)

- FULL WEAR KIT - HARDSURFACE = 227088
- FULL WEAR KIT - WEAR BARS = 227089
- FULL WEAR KIT - WEAR PLATES = 227093



LaBounty SHEAR INTRODUCTION

WEIGHT OF MSD 2500R LEGEND WITH TYPICAL 2ND MEMBER MOUNTING BRACKET = 14,800 LBS [6,700 Kg]*



Model	Weight*		Jaw Opening		Jaw Depth		Reach**		Min Excavator Weight - 2 rd Member	
	lbs	kg	in	cm	in	cm	ft	cm	lbs	mTons
MSD 2500	14,800	6,700	31	78	33	84	12.7	386	66,000	30