

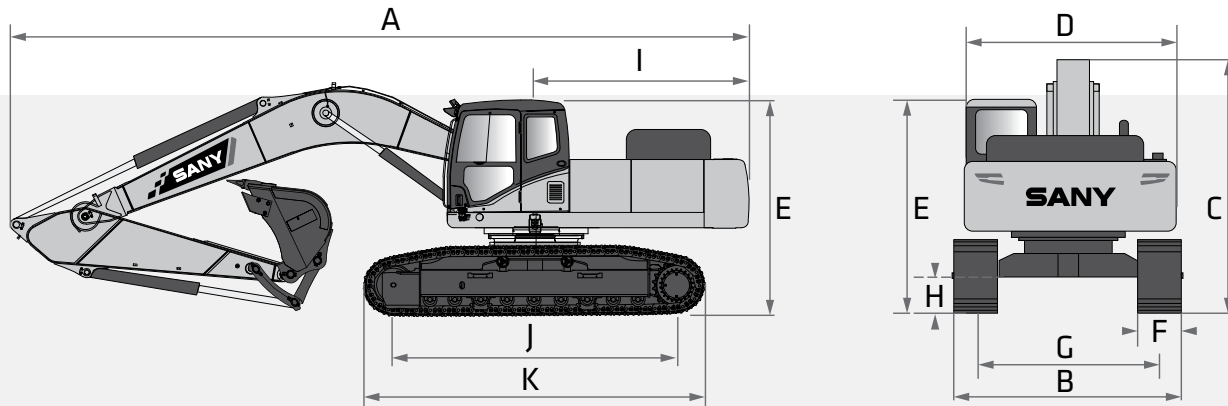
EXCAVATOR

SY225C LC

STANDARD FEATURES

- ➔ Heavy-duty long undercarriage
- ➔ 1-way and 2-way primary auxiliary and 2-way secondary auxiliary circuits
- ➔ Quick coupler plumbing to end of the stick
- ➔ Rear view camera
- ➔ Heated air ride seat
- ➔ Powerful Cummins Engine

164 hp
Gross Power
21' 8"
Dig Depth
54,013 lbs
Operating Weight
28,551 lbf
Bucket Breakout



TECHNICAL SPECIFICATIONS

TECHNICAL SPECIFICATIONS		
Operating Weight	54,013 lbs	24 500 kg
Ground Pressure	5.2 psi	36.1 kPa
Engine	Cummins QSB6.7 T4F	
Displacement	408.9 in ³	6.7 L
Gross Power	163.6 HP	122 kW
Hydraulics	Positive Flow Control with Pilot Control	
Main Hydraulic Pump	Axial Piston - Variable Displacement	
Operating Flow (maximum)	117.3 gal/min	444.0 L/min
Operating Pressure (maximum)	4,975 psi	34.3 MPa
Power Boost Pressure (maximum)	5,410 psi	37.3 MPa
Travel Motor	Axial Piston with Park Brake	
Travel Pressure (maximum)	4,975 psi	34.3 MPa
Travel Speeds (maximum)	2.1 / 3.2 mph	3.3 / 5.1 km/hr
Travel Effort (maximum)	40,466 lbf	180.0 kN
Grade Capability (maximum)	35°	
Swing Motor	Axial Piston with Swing Brake	
Swing Pressure (maximum)	3,989 psi	27.5 MPa
Swing Speed (maximum)	10.9 RPM	
Undercarriage (standard)	Steel Track	
Track Shoe width (standard)	31"	800 mm
Track Rollers (per side)	9	
Carrier Rollers (per side)	2	

DIMENSIONS

DIMENSIONS		
Boom Length	18' 8"	5 700 mm
Stick (Arm) Length	9' 7"	2 919 mm
A Transport Length	31' 11"	9 728 mm
B Transport Width	11' 1"	3 390 mm
C Transport Height	11' 1"	3 370 mm
D Upper Structure Width	8' 11"	2 710 mm
E Cab Height	10' 0"	3 050 mm
F Track Width (standard shoe)	31"	800 mm
G Track Gauge	8' 6"	2 590 mm
H Ground Clearance (minimum)	19"	480 mm
I Tail Swing Radius	9' 6"	2 890 mm
J Track Length on Ground	12' 7"	3 830 mm
K Track Length	15' 3"	4 636 mm

SERVICE REFILL CAPACITIES

Fuel Tank Capacity	89.5 gal	340.0 L
DEF Tank Capacity	5.0 gal	19.0 L
Hydraulic Tank Capacity	60.5 gal	230.0 L
Engine Oil Capacity	7.1 gal	27.0 L
Cooling System Capacity	7.3 gal	27.6 L

In the interest of continual equipment development, SANY America Inc. reserves the right to change these specifications at any time without prior notification.
©2023 SANY America Inc. HEXPS23SY225CLC001



STANDARD AND OPTIONAL EQUIPMENT

s = standard / o = optional

SY225C LC	ENGINE
s	6.7l Cummins
s	Auto-idle
s	Dual-element dry air filter
s	Batteries 24V (2-12V)
s	Coolant expansion tank
s	Electronic engine control
s	Enclosed fan guard
s	Engine coolant to -37 deg. C (-34 deg. F)
s	Fuel filter with water separator
s	Full-flow oil filter
s	Turbocharger with charge air cooler
s	High-flow electric clutch actuated fan
s	500-hour engine oil change interval
s	70% (35 deg.) off-level capability
s	Engine air precleaner
HYDRAULIC SYSTEM	
s	Spring-applied, hydraulically released automatic swing brake
s	Auxiliary hydraulic-flow adjustments through monitor
s	Lift power boost on joystick
s	Control pattern change valve
s	Auxiliary hydraulics with 1- and 2-way combination piping for high flow
s	Auxiliary hydraulics with 2-way rotation piping and controls
s	Auxiliary pilot and electric controls
s	Quick coupler plumbing and control
UNDERCARRIAGE	
s	Planetary drive with axial piston motors
s	Propel motor shields
s	Spring-applied, hydraulically released automatic propel brake
s	Track guides, front idler and 2 additional per side
s	2-speed travel selection
s	Upper carrier rollers (2)
s	Sealed and lubricated track chain
s	Triple semi-grouser shoes, 800 mm (32")
s	Undercarriage frame opening guard
BOOM & STICK	
s	Boom 5.7m (18' 8") included
s	Stick, 2.9 m (9' 7") included
UPPERSTRUCTURE	
s	Right-hand and left-hand mirrors
s	Vandal lock with ignition key: cab door / service door / toolbox / cab filter
s	Debris screen in side panel
s	Remote-mounted engine oil and fuel filters
s	Heavy duty triangle channel frame guard
ATTACHMENTS	
s	Convenient grease points
o	Centralized lubrication system
s	Dirt seals on all bucket pins

In the interest of continual equipment development, SANY America Inc. reserves the right to change these specifications at any time without prior notification.
 ©2023 SANY America Inc. HEXPS23SY225CLC001



*Warranty applies to 2023 Excavator and Wheel Loader models only.



STANDARD AND OPTIONAL EQUIPMENT

s = standard / o = optional

SY225C LC	ATTACHMENTS (cont.)
s	Oil-impregnated bushings
s	Reinforced resin thrust plates
o	Quick coupler
o	Buckets: heavy-duty / heavy-duty high capacity / side cutter and teeth

OPERATOR'S STATION

s	Adjustable independent-control positions (levers-to-seat, seat-to-pedals)
s	AM/FM radio with USB charging and Bluetooth® connectivity
s	Auto climate control / air conditioner / heater / pressurizer
s	Built-in operator's manual storage compartment and manual
s	12V and 24V outlets 60 watt 5 amp
s	Deluxe heated air suspension cloth seat, with adjustable armrests
s	Heavy duty rubber floor mat
s	Front windshield wiper with variable speeds
s	Illuminated gauge: diesel exhaust fluid, engine coolant, and fuel levels
s	Horn, electric
s	Hour meter, electric
s	Hydraulic shutoff lever, all controls
s	Interior light
s	Large cup holder
s	Digital power mode selection: 3 power modes—low, standard, and high
s	Digital tool selection: bucket, shear, hammer, etc.
s	Multifunction color LCD monitor with: diagnostic capability / multiple-language / maintenance tracking / clock
s	System monitoring with alarm features: auto-idle indicator, engine air cleaner, restriction indicator light, engine check, engine coolant temperature indicator light with audible alarm, engine oil pressure indicator light with audible alarm, low alternator charge indicator light, low fuel indicator light, low DEF indication with audible alarm, fault code alert indicator, fuel-rate display, wiper-mode indicator, work lights on indicator, and work mode indicator
s	Motion alarm with cancel switch (conforms to SAE J994)
s	Power-boost switch on right joystick
s	Auxiliary hydraulic control switches in right console lever
s	Seat belt, 2", non-retractable
s	Transparent overhead hatch
s	Heated or cooled food/beverage storage
s	Air-suspension heated seat
s	Hydraulic oil filter restriction indicator light
o	Protection screens for cab front, rear, and side

ELECTRICAL

s	60-amp alternator
s	Ground level electrical disconnect (lockout tag out)
s	Blade type multi-fused circuits
s	Positive terminal battery covers
s	Rearview camera

LIGHTS

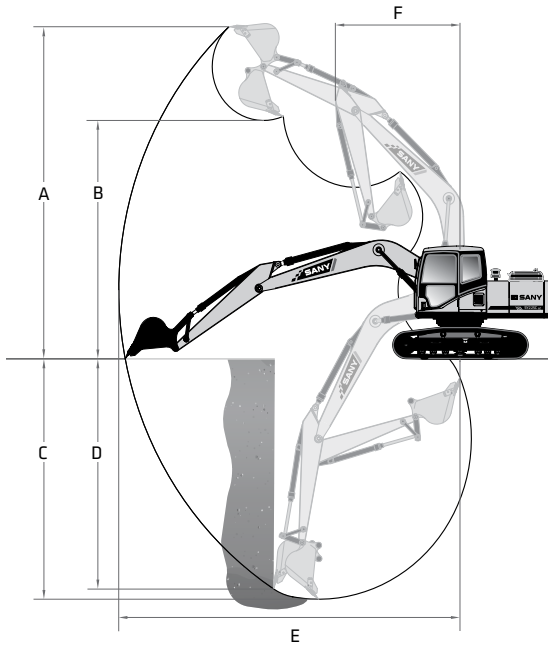
s	Work lights: high power LED—2 mounted on boom, 2 mounted on top of cab, 1 mounted under step on right side of machine
---	---

In the interest of continual equipment development, SANY America Inc. reserves the right to change these specifications at any time without prior notification.
©2023 SANY America Inc. HEXPS23SY225CLC001



PRODUCT SPECIFICATIONS EXCAVATOR || SY225C LC

WORKING RANGE



WORKING RANGE

Boom Length	18' 8"	5 700 mm
Stick (Arm) Length	9' 7"	2 919 mm
A Maximum Digging Height	30' 1"	9 180 mm
B Maximum Dumping Height	21' 11"	6 670 mm
C Maximum Digging Depth	21' 10"	6 655 mm
D Maximum Vertical Wall Digging Depth	19' 7"	5 980 mm
E Maximum Reach at Ground Level	33' 10"	10 307 mm
F Minimum Swing Radius	12' 3"	3 730 mm

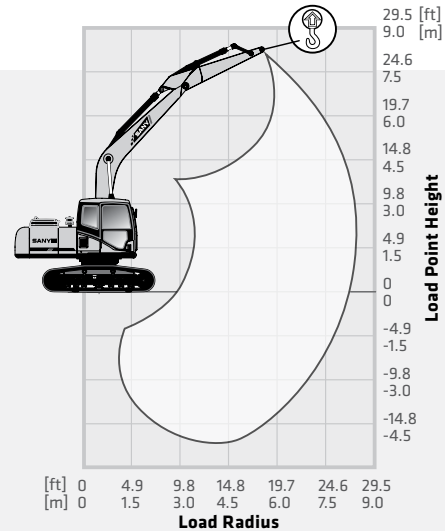
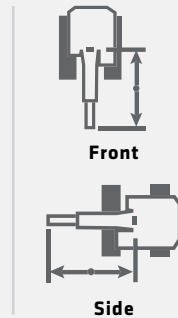
DIGGING PERFORMANCE

Boom Length	18' 8"	5 700 mm
Stick (Arm) Length	9' 7"	2 919 mm
Bucket Breakout Force (ISO)	28,551 lbf	127.0 kN
Stick (Arm) Digging Force (ISO)	23,155 lbf	103.0 kN

LIFTING PERFORMANCE

- Standard 18' 8" (5 700 mm) Boom
- Standard 9' 7" (2 919 mm) Stick
- Standard 31" (800 mm) Track Shoes
- No Bucket

Ratings are based on ISO 10567:2007. Lift capacity does not exceed 75% of tipping load with the machine on firm, level ground or 87% of hydraulic lifting capacity.



LOAD RADIUS	4.9 ft 1.5 m		9.8 ft 3.0 m		14.8 ft 4.5 m		19.7 ft 6.0 m		24.6 ft 7.5 m		MAX REACH	
LOAD POINT HEIGHT												
24.6 ft 7.5 m							9,407 lb* 4 267 kg*	9,407 lb* 4 267 kg*			10,463 lb* 4 746 kg*	10,463 lb* 4 746 kg*
19.7 ft 6.0 m							10,179 lb* 4 617 kg*	10,179 lb* 4 617 kg*			10,617 lb* 4 816 kg*	10,088 lb 4 576 kg
14.8 ft 4.5 m							11,374 lb* 5 159 kg*	11,374 lb* 5 159 kg*	10,882 lb* 4 936 kg*	9,535 lb 4 325kg	10,933 lb* 4 959 kg*	8,726 lb 3 958 kg
9.8 ft 3.0 m					16,718 lb* 7 583 kg*	16,718 lb* 7 583 kg*	13,245 lb* 6 008 kg*	12,712 lb 5 766 kg	11,707 lb* 5 310 kg*	9,308 lb 4 222 kg	11,365 lb* 5 155 kg*	8,726 lb 3 958 kg
4.9 ft 1.5 m					20,477 lb* 9 288 kg*	17,906 lb 8 122kg	15,196 lb* 6 893 kg*	12,183 lb 5 526 kg	12,705 lb* 5 763 kg*	9,050 lb 4 105 kg	11,629 lb 5 275 kg	7,818 lb 3 546 kg
0 ft 0 m			15,126 lb* 6 861 kg*	15,126 lb* 6 861 kg*	22,677 lb* 10 286 kg*	17,297 lb 7 846 kg	16,654 lb* 7 554 kg*	11,806 lb 5 355 kg	13,316 lb 6 040 kg	8,854 lb 4 016 kg	11,920 lb 5 407 kg	7,972 lb 3 616 kg
-4.9 ft -1.5 m	14,504 lb* 6 579 kg*	14,504 lb* 6 579 kg*	24,132 lb* 10 946 kg*	24,132 lb* 10 946 kg*	23,219 lb* 10 532 kg*	17,114 lb 7 763 kg	17,245 lb* 7 822 kg*	11,640 lb 5 280 kg	13,250 lb 6 010 kg	8,764 lb 3 989 kg	11,413 lb 5 177 kg	8,613 lb 3 907 kg
-9.8 ft -3.0 m	23,160 lb* 10 505 kg*	23,160 lb 10 505 kg	31,713 lb* 14 385 kg*	31,713 lb* 14 385 kg*	22,174 lb* 10 058 kg*	17,238 lb 7 819 kg	16,543 lb* 7 504 kg*	11,713 lb 5 313 kg			14,268 lb* 6 472 kg*	10,124 lb 4 592 kg
-14.8 ft -4.5 m			26,358 lb* 11 956 kg*	26,358 lb* 11 956 kg*	18,682 lb* 8 474 kg*	17,708 lb 8 032 kg					15,278 lb* 6 930 kg*	14,107 lb 6 399 kg

* Indicates load limited by hydraulic lifting capacity.

In the interest of continual equipment development, SANY America Inc. reserves the right to change these specifications at any time without prior notification.
©2023 SANY America Inc. HEXPS23SY225CLC001

SANY America Inc. 318 SANY Way
Peachtree City, Georgia 30269
470.552.SANY sanyamerica.com

