

EXCAVATOR

SY265C LC

STANDARD FEATURES

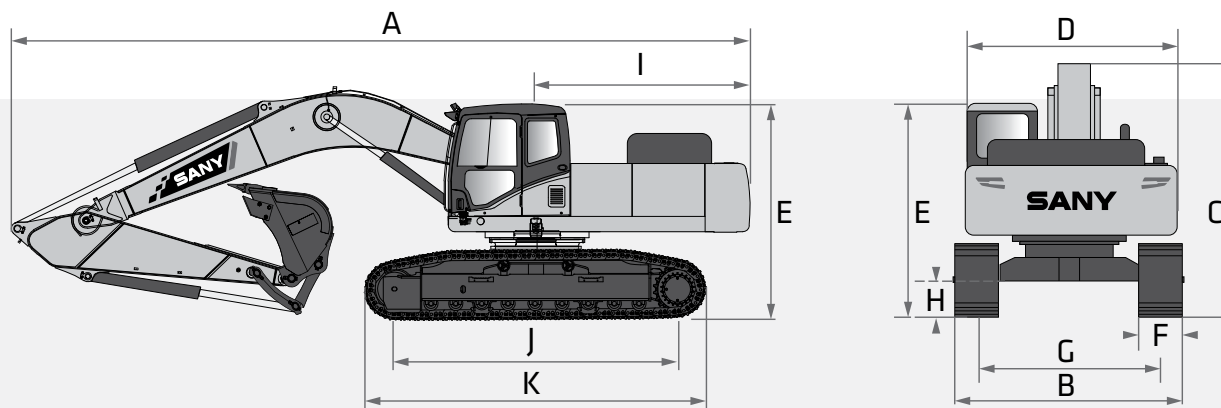
- ➔ Heavy-duty, long undercarriage
- ➔ 1-way and 2-way primary auxiliary and 2-way secondary auxiliary circuits
- ➔ Rear view camera
- ➔ Heated air ride seat
- ➔ Bright LED work light package
- ➔ Powerful Cummins Engine

194 hp
Gross Power

22'
Dig Depth

59,525 lbs
Operating Weight

42,039 lbf
Bucket Breakout



TECHNICAL SPECIFICATIONS

TECHNICAL SPECIFICATIONS

Operating Weight	59,525 lbs	27 000 kg
Ground Pressure	5.7 psi	39.3 kPa
Engine	Cummins QSB 6.7 T4F	
Displacement	408.9 in ³	6.7 L
Gross Power	194.4 HP	145 kW
Hydraulics	Positive Flow Control with Pilot Control	
Main Hydraulic Pump	Axial Piston - Variable Displacement	
Operating Flow (maximum)	137.4 gal/min	520.0 L/min
Operating Pressure (maximum)	4,975 psi	34.3 MPa
Power Boost Pressure (maximum)	5,410 psi	37.3 MPa
Travel Motor	Axial Piston with Park Brake	
Travel Pressure (maximum)	4975 psi	34.3 MPa
Travel Speeds (maximum)	2.2 / 3.4 mph	3.5 / 5.5 km/hr
Travel Effort (maximum)	51,032 lbf	227.0 kN
Grade Capability (maximum)	35°	
Swing Motor	Axial Piston with Swing Brake	
Swing Pressure (maximum)	3,989 psi	27.5 MPa
Swing Speed (maximum)	10.6 RPM	
Undercarriage (standard)	Steel Track	
Track Shoe width (standard)	31"	800 mm
Track Rollers (per side)	9	
Carrier Rollers (per side)	2	

DIMENSIONS

DIMENSIONS

Boom Length	19' 4"	5 900 mm
Stick (Arm) Length	9' 8"	2 950 mm
A Transport Length	33' 9"	10 290 mm
B Transport Width	11' 1"	3 390 mm
C Transport Height	10' 6"	3 195 mm
D Upper Structure Width	10'	3 045 mm
E Cab Height	10' 1"	3 080 mm
F Track Width (standard shoe)	31"	800 mm
G Track Gauge	8' 6"	2 590 mm
H Ground Clearance (minimum)	19"	470 mm
I Tail Swing Radius	10' 2"	3 105 mm
J Track Length on Ground	12' 7"	3 830 mm
K Track Length	15' 3"	4 636 mm

SERVICE REFILL CAPACITIES

Fuel Tank Capacity	122.8 gal	465.0 L
DEF Tank Capacity	10.0 gal	38.0 L
Hydraulic Tank Capacity	73.2 gal	277.0 L
Engine Oil Capacity	6.5 gal	24.7 L
Cooling System Capacity	10.6 gal	40.0 L



STANDARD AND OPTIONAL EQUIPMENT

s = standard / o = optional

SY265C LC	ENGINE
s	6.7l Cummins
s	Auto-idle
s	Dual-element dry air filter
s	Batteries 24V (2-12V)
s	Coolant expansion tank
s	Electronic engine control
s	Enclosed fan guard
s	Engine coolant to -37 deg. C (-34 deg. F)
s	Fuel filter with water separator
s	Full-flow oil filter
s	Turbocharger with charge air cooler
s	High-flow electric clutch actuated fan
s	500-hour engine-oil-change interval
s	70% (35 deg.) off-level capability
s	Engine air precleaner
s	Severe-duty fuel filter
HYDRAULIC SYSTEM	
s	Spring-applied, hydraulically released automatic swing brake
s	Auxiliary hydraulic-flow adjustments through monitor
s	Lift power boost on joystick
s	Control pattern change valve
s	Auxiliary hydraulics with 1- and 2-way combination piping for high flow
s	Auxiliary hydraulics with 2-way rotation piping and controls
s	Auxiliary pilot and electric controls
o	Quick coupler plumbing and control
UNDERCARRIAGE	
s	Planetary drive with axial piston motors
s	Propel motor shields
s	Spring-applied, hydraulically released automatic propel brake
s	Track guides, front idler and 2 additional per side
s	2-speed travel selection
s	Upper carrier rollers (2)
s	Sealed and lubricated track chain
s	Triple semi-grouser shoes, 800 mm (32")
s	Undercarriage frame opening guard
BOOM & STICK	
s	Boom 5.9 m (19' 4")
s	Stick, 2.9 m (9' 8")
UPPERSTRUCTURE	
s	Right-hand and left-hand mirrors
s	Vandal lock with ignition key: cab door /service door / toolbox / cab filter
s	Debris screen in side panel
s	Remote-mounted engine oil and fuel filters
s	Heavy duty triangle channel frame guard
ATTACHMENTS	
s	Convenient grease points
o	Centralized lubrication system

In the interest of continual equipment development, SANY America Inc. reserves the right to change these specifications at any time without prior notification.
 ©2023 SANY America Inc. HEXPS23SY265CLC001



*Warranty applies to 2023 Excavator and Wheel Loader models only.



STANDARD AND OPTIONAL EQUIPMENT

s = standard / o = optional

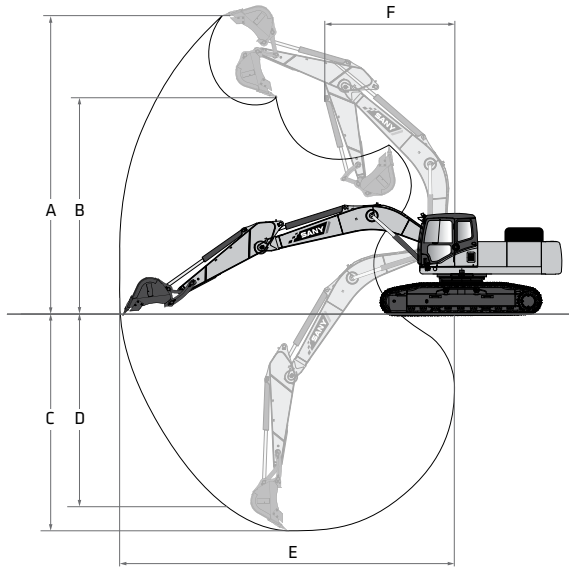
SY265C LC ATTACHMENTS (cont.)	
s	Dirt seals on all bucket pins
s	Oil-impregnated bushings
s	Reinforced resin thrust plates
o	Quick coupler
o	Buckets: heavy duty / heavy-duty high capacity / side cutter and teeth
OPERATOR'S STATION	
s	Adjustable independent-control positions (levers-to-seat, seat-to-pedals)
s	AM/FM radio with USB charging and Bluetooth connectivity
s	Auto climate control / air conditioner / heater / pressurizer
s	Built-in Operator's Manual storage compartment and manual
s	12 and 24V outlets 60 watt 5 amp
s	Deluxe heated air suspension cloth seat, with adjustable armrests
s	Heavy-duty rubber floor mat
s	Front windshield wiper with variable speeds
s	Illuminated Gauge: diesel exhaust fluid, engine coolant, and fuel levels
s	Horn, electric
s	Hour meter, electric
s	Hydraulic shutoff lever, all controls
s	Interior light
s	Large cup holder
s	Digital power mode selection: 3 power modes—low, standard, and high
s	Digital tool selection: bucket, shear, hammer, etc.
s	Multifunction color LCD monitor with: diagnostic capability / multiple-language / maintenance tracking / clock
s	System monitoring with alarm features: auto-idle indicator, engine air cleaner restriction indicator light, engine check, engine coolant temperature indicator light with audible alarm, engine oil pressure indicator light with audible alarm, low alternator charge indicator light, low-fuel indicator light, low DEF indication with audible alarm, fault code alert indicator, fuel-rate display, wiper-mode indicator, work-lights-on indicator, and work-mode indicator
s	Motion alarm with cancel switch (conforms to SAE J994)
s	Power-boost switch on right joystick
s	Auxiliary hydraulic control switches in right console lever
s	Seat belt, 2", non-retractable
s	Transparent overhead hatch
s	Heated or cooled food/beverage storage
s	Hydraulic oil filter restriction indicator light
o	Protection screens for cab front, rear, and side
ELECTRICAL	
s	60-amp alternator
s	Ground level electrical disconnect (lockout tag out)
s	Blade-type multi-fused circuits
s	Positive-terminal battery covers
s	Rearview camera
LIGHTS	
s	Work lights: High power LED—2 mounted on boom, 2 mounted on top of cab, 1 mounted under step on right side of machine

In the interest of continual equipment development, SANY America Inc. reserves the right to change these specifications at any time without prior notification.
 ©2023 SANY America Inc. HEXPS23SY265CLC001



PRODUCT SPECIFICATIONS EXCAVATOR || SY265C LC

WORKING RANGE



WORKING RANGE

Boom Length	19' 4"	5 900 mm
Stick (Arm) Length	9' 8"	2 950 mm
A Maximum Digging Height	31' 11"	9 740 mm
B Maximum Dumping Height	22' 0"	6 715 mm
C Maximum Digging Depth	22' 0"	6 706 mm
D Maximum Vertical Wall Digging Depth	18' 7"	5 675 mm
E Maximum Reach at Ground Level	33' 7"	10 225 mm
F Minimum Swing Radius	12' 6"	3 800 mm

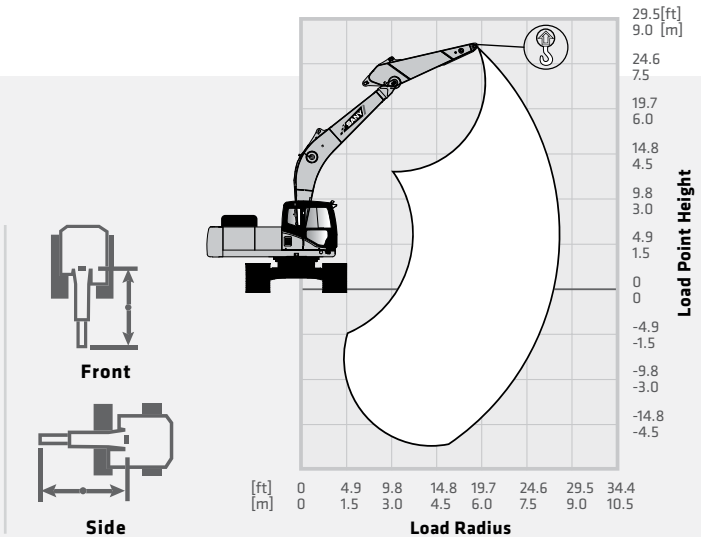
DIGGING PERFORMANCE

Boom Length	19' 4"	5 900 mm
Stick (Arm) Length	9' 8"	2 950 mm
Bucket Breakout Force (ISO)	42,039 lbf	187.0 kN
Stick (Arm) Digging Force (ISO)	29,225 lbf	130.0 kN

LIFTING PERFORMANCE

- Standard 19' 4" (5 900 mm) Boom
- Standard 9' 8" (2 950 mm) Stick
- Standard 31" (800 mm) Track Shoes
- No Bucket

Ratings are based on ISO 10567:2007. Lift capacity does not exceed 75% of tipping load with the machine on firm, level ground or 87% of hydraulic lifting capacity.



LOAD RADIUS	10.0 ft 3.0 m		15.0 ft 4.5 m		20.0 ft 6.0 m		25.0 ft 7.5 m		MAX REACH	
LOAD POINT HEIGHT										
25.0 ft 7.5 m					13,186 lb* 5 981 kg*	13,186 lb* 5 981 kg*			13,228 lb* 6 000 kg*	13,228 lb* 6 000 kg*
9.8 ft 6.0 m					13,411 lb* 6 083 kg*	13,411 lb* 6 083 kg*	12,732 lb 5 775 kg	12,507 lb 5 673 kg	12,500 lb* 5 670 kg*	12,434 lb* 5 640 kg*
15.0 ft 4.5 m					13,761 lb* 6 242 kg*	13,761 lb* 6 242 kg*	12,870 lb 5 838 kg	12,527 lb 5 682 kg	12,489 lb 5 665 kg	11,045 lb 5 010 kg
10.0 ft 3.0 m			20,853 lb* 9 459 kg*	20,853 lb* 9 459 kg*	17,319 lb 7 856 kg	16,539 lb 7 502 kg	14,824 lb 6 724 kg	11,872 lb 5 385 kg	13,494 lb 6 121 kg	10,187 lb 4 621 kg
5.0 ft 1.5 m			25,822 lb 11 713 kg	23,885 lb 10 834 kg	19,555 lb 8 870 kg	15,692 lb 7 118 kg	15,514 lb 7 037 kg	11,444 lb 5 191 kg	13,115 lb 5 949 kg	9,764 lb 4 429 kg
0 ft 0 m			28,195 lb 12 789 kg	23,098 lb 10 477 kg	21,034 lb 9 541 kg	15,121 lb 6 859 kg	15,194 lb 6 892 kg	11,131 lb 5 049 kg	13,479 lb 6 114 kg	9,980 lb 4 527 kg
-5.0 ft -1.5 m	24,451 lb* 11 091 kg*	24,451 lb* 11 091 kg*	28,836 lb 13 080 kg	22,855 lb 10 367 kg	21,107 lb 9 574 kg	15,165 lb 6 879 kg	15,329 lb 6 953 kg	11,261 lb 5 108 kg	14,777 lb 6 703 kg	10,983 lb 4 982 kg
-10.0 ft -3.0 m	39,032 lb* 17 705 kg*	39,032 lb* 17 705 kg*	27,652 lb 12 543 kg	23,054 lb 10 457 kg	20,589 lb 9 339 kg	15,265 lb 6 924 kg			17,485 lb 7 931 kg	12,934 lb 5 867 kg
-15.0 ft -4.5 m	33,644 lb* 15 261 kg*	33,644 lb* 15 261 kg*	23,841 lb 10 814 kg	23,735 lb 10 766 kg					19,010 lb 8 623 kg	17,780 lb 8 065 kg

* Indicates load limited by hydraulic lifting capacity.

In the interest of continual equipment development, SANY America Inc. reserves the right to change these specifications at any time without prior notification.
©2023 SANY America Inc. HEXPS23SY265CLC001

SANY America Inc. 318 SANY Way
Peachtree City, Georgia 30269
470.552.SANY sanyamerica.com

SANY