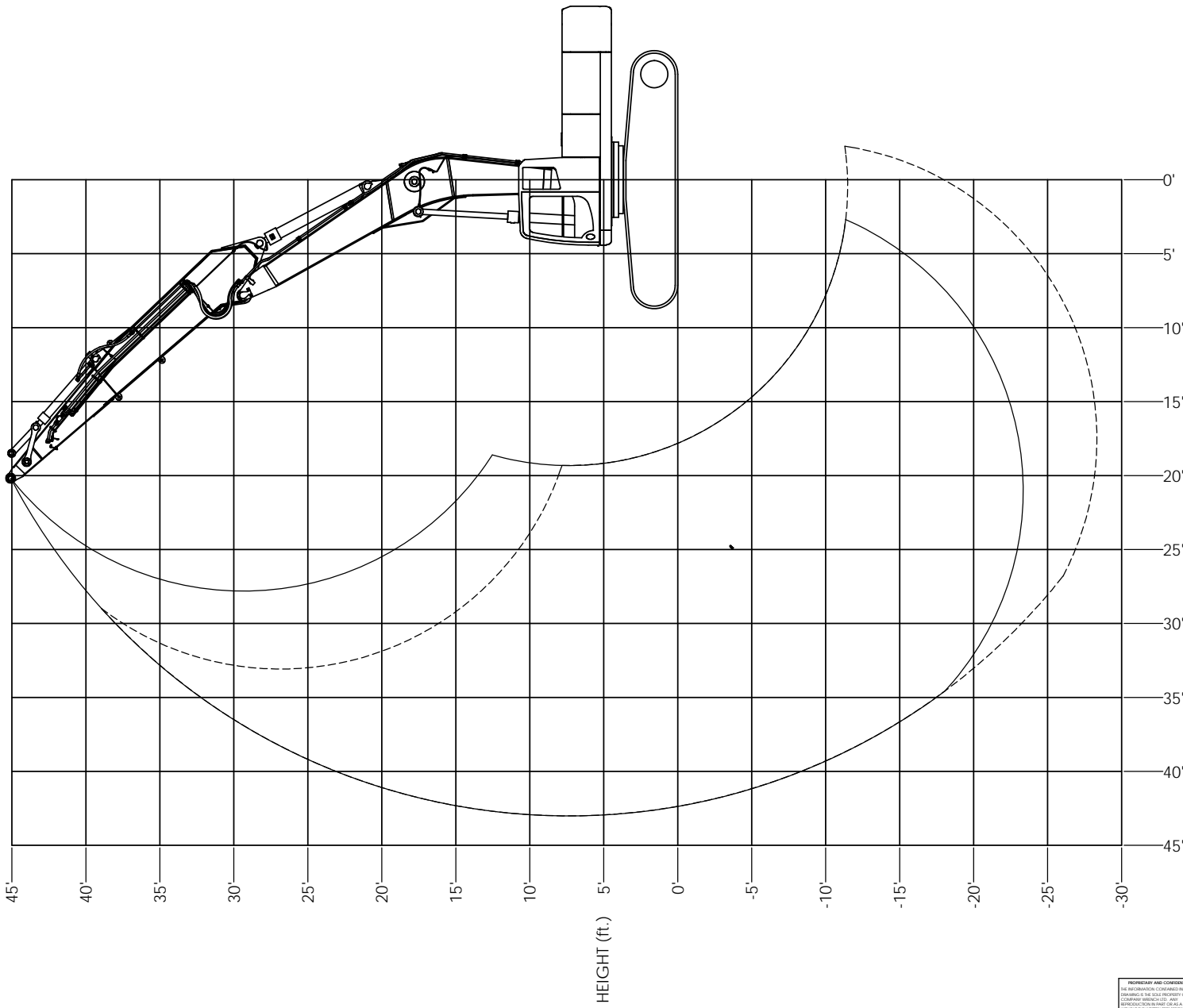



REVISIONS				
ZONE	REV.	DESCRIPTION	DATE	APPROVED



CONFIGURATION:  
 23'-2" BOOM (WITH DUAL PIN POSITIONS FOR BOOM CYLINDERS)  
 20' ARM WITH PC350 TIP

--- HOIST CYLINDERS ON UPPER PIVOT  
 — HOIST CYLINDERS ON LOWER PIVOT

MATERIAL:		


 4805 SCOOPY LANE NW  
 CARROLL, OHIO 43112  
 740-654-5304  
*The Cutting Edge of Customer Service*

UNLESS OTHERWISE SPECIFIED  
 DIMENSIONS TO DIMENSIONS ARE  
 AS FOLLOWS:  
 DECIMAL: .0001"  
 FRACTIONAL: 1/16"  
 ANGLE: .1°

TITLE: PC400-8/450-8/490-10 DUAL PIN BOOM - 20' ARM  
 SCALE: 1:40  
 SHEET 1 OF 1

DWG./PART NO. **D**

PROPRIETARY AND CONFIDENTIAL  
 THE INFORMATION CONTAINED HEREIN  
 IS THE SOLE PROPERTY OF  
 COMPANY WRENCH, AND  
 SHALL NOT BE REPRODUCED OR  
 TRANSMITTED IN ANY FORM OR  
 BY ANY MEANS, WITHOUT THE WRITTEN PERMISSION OF  
 COMPANY WRENCH OR ITS AFFILIATES.