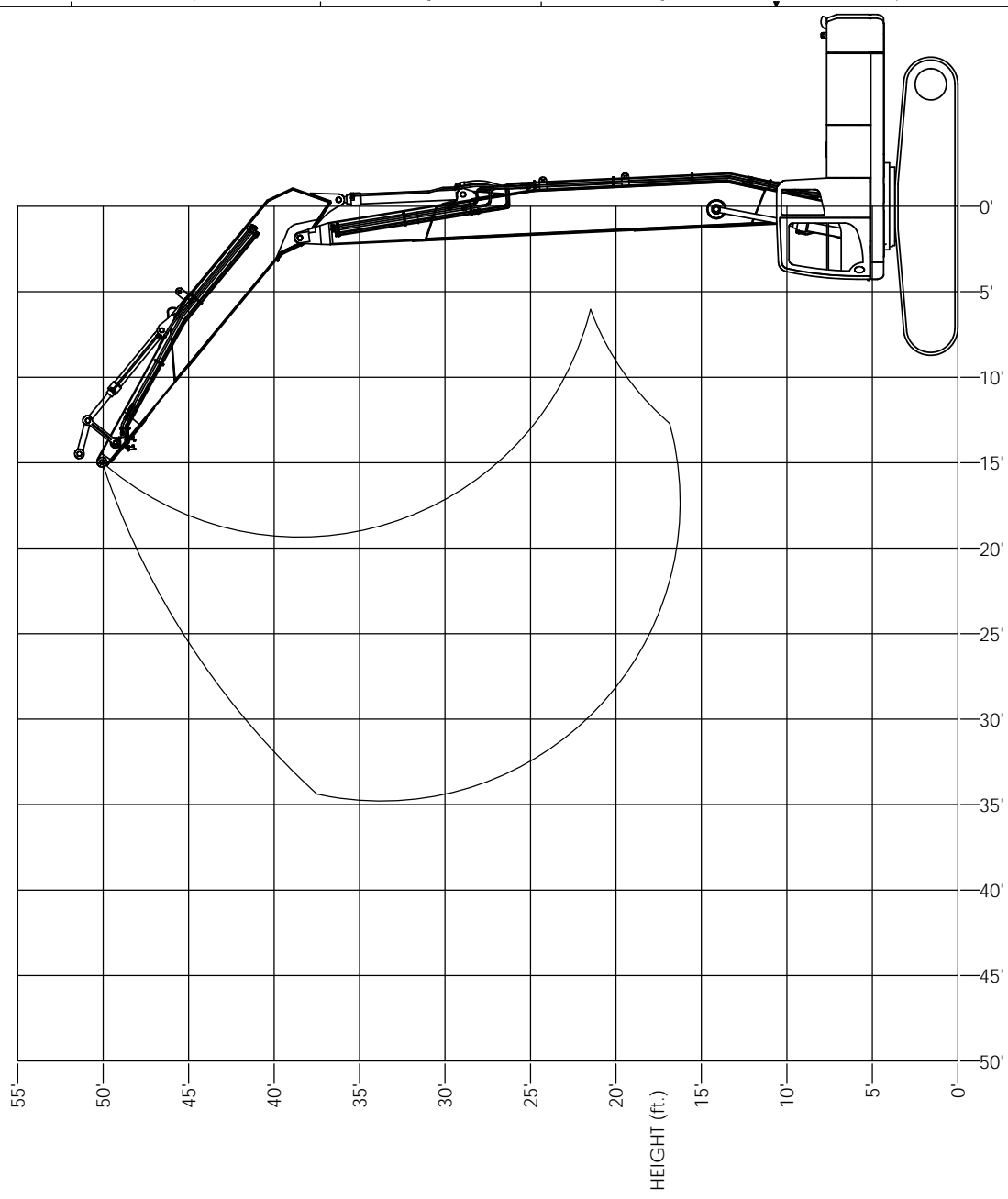


REVISIONS				
ZONE	REV.	DESCRIPTION	DATE	APPROVED



MATERIAL:		



 4805 SCOOPY LANE NW
 CARROLL, OHIO 43112
 740-654-5304
The Cutting Edge of Customer Service

<small>PROPRIETARY AND CONFIDENTIAL THE INFORMATION CONTAINED HEREIN IS THE SOLE PROPERTY OF COMPANY WRENCH. ANY REPRODUCTION OR DISSEMINATION OF THIS INFORMATION WITHOUT THE WRITTEN PERMISSION OF COMPANY WRENCH IS PROHIBITED.</small>	<small>UNLESS OTHERWISE SPECIFIED DIMENSIONS FOR FINISHES ARE AS FOLLOWS:</small>	<small>TITLE:</small> SK260LC-9 - 50' HIGH REACH RANGE
	<small>DECIMAL: .00015" FRACTIONAL: 1/16" ANGLE: .1°</small>	<small>SCALE: 1:40</small> D
<small>WEIGHT:</small>	<small>SHEET 1 OF 1</small>	<small>1</small>