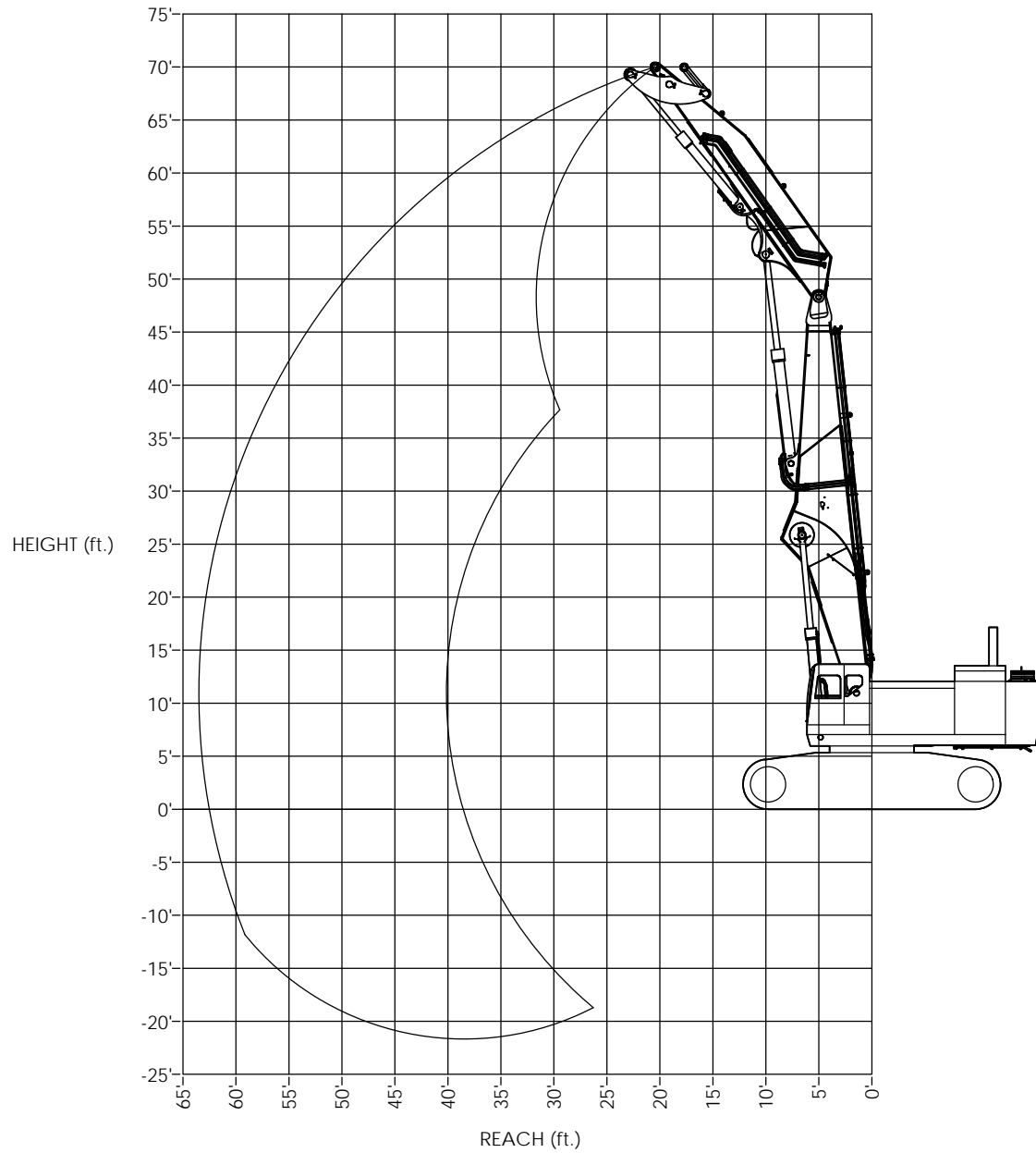


REVISIONS				
ZONE	REV.	DESCRIPTION	DATE	APPROVED



CONFIGURATION:

37'-6" STRAIGHTENED & STRETCHED PC1250-8 BOOM
26'-8" ARM WITH PC1250-8 TIP
KOMATSU OEM BOOM HOIST CYLINDERS
KOMATSU OEM ARM CYLINDER
KOMATSU OEM BUCKET CYLINDER & H-LINK FROM 18'-8" ARM
10,000# ADDITIONAL COUNTERWEIGHT

MATERIAL:		
QTY	MARK	NOTE



4805 SCOOPY LANE NW
CARROLL, OHIO 43112
740-654-5304

The Cutting Edge of Customer Service

PROPRIETARY AND CONFIDENTIAL
 THE INFORMATION CONTAINED HEREIN
 IS THE SOLE PROPERTY OF
 COMPANY WRENCH. ANY
 REPRODUCTION OR
 DISSEMINATION OF THIS
 INFORMATION WITHOUT THE WRITTEN PERMISSION OF
 COMPANY WRENCH IS PROHIBITED.

UNLESS OTHERWISE SPECIFIED
 DIMENSIONS FOR FRAMES ARE
 AS FOLLOWS:
 DECIMAL: .00015"
 FRACTIONAL: 1/16"
 ANGLE: .1°
 WEIGHT: #

TITLE: **PC1250LC-8 - 63', 2-PIECE L.R. RANGE**
 SCALE: 1:65 SIZE: **D** DWG./PART NO.: **OM18141-1**
 SHEET 1 OF 1