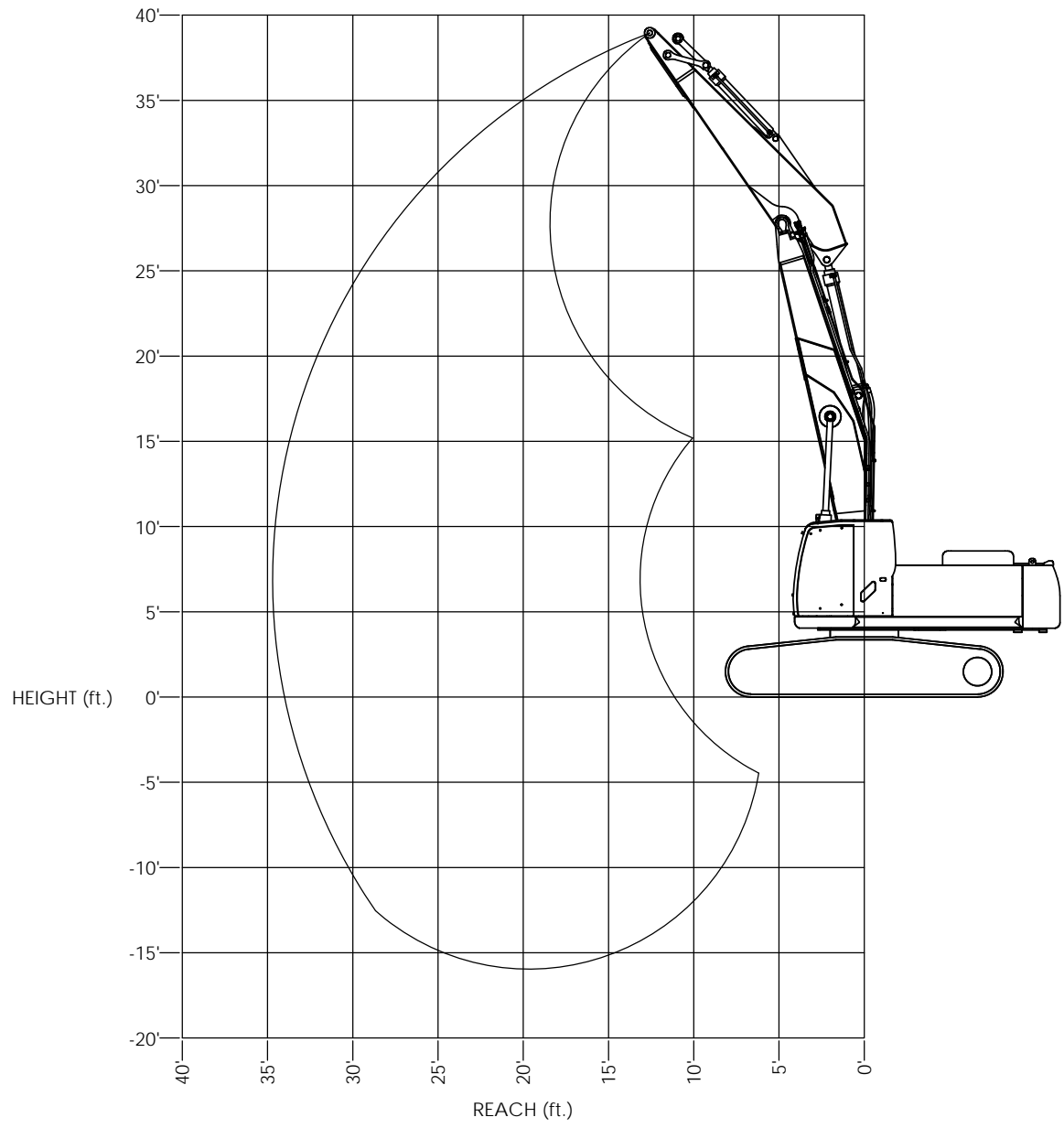


REVISIONS				
ZONE	REV.	DESCRIPTION	DATE	APPROVED



**CONFIGURATION:  
21'-4" STRAIGHT BOOM  
13'-7" FACTORY STICK**

MATERIAL:		


 4805 SCOOPY LANE NW  
 CARROLL, OHIO 43112  
 740-654-5304  
*The Cutting Edge of Customer Service*

<small>PROPRIETARY AND CONFIDENTIAL THE INFORMATION CONTAINED HEREIN IS UNLESS OTHERWISE SPECIFIED THE PROPERTY OF COMPANY WRENCH. ANY REPRODUCTION OR TRANSMISSION OF THIS INFORMATION WITHOUT THE WRITTEN PERMISSION OF COMPANY WRENCH IS PROHIBITED.</small>	<small>UNLESS OTHERWISE SPECIFIED DIMENSIONS TO DIMENSIONS ARE AS FOLLOWS:</small>	TITLE:
	<small>DECIMAL: 80/100" FRACTIONAL: 1/16" ANGLE: 1°</small>	<b>SK350LC - 21'-4" STR. BOOM RANGE</b>
WEIGHT:	SCALE: 1:40	DWG./PART NO.
	SIZE: <b>D</b>	<b>0M19867-1</b>
	SHEET 1 OF 1	