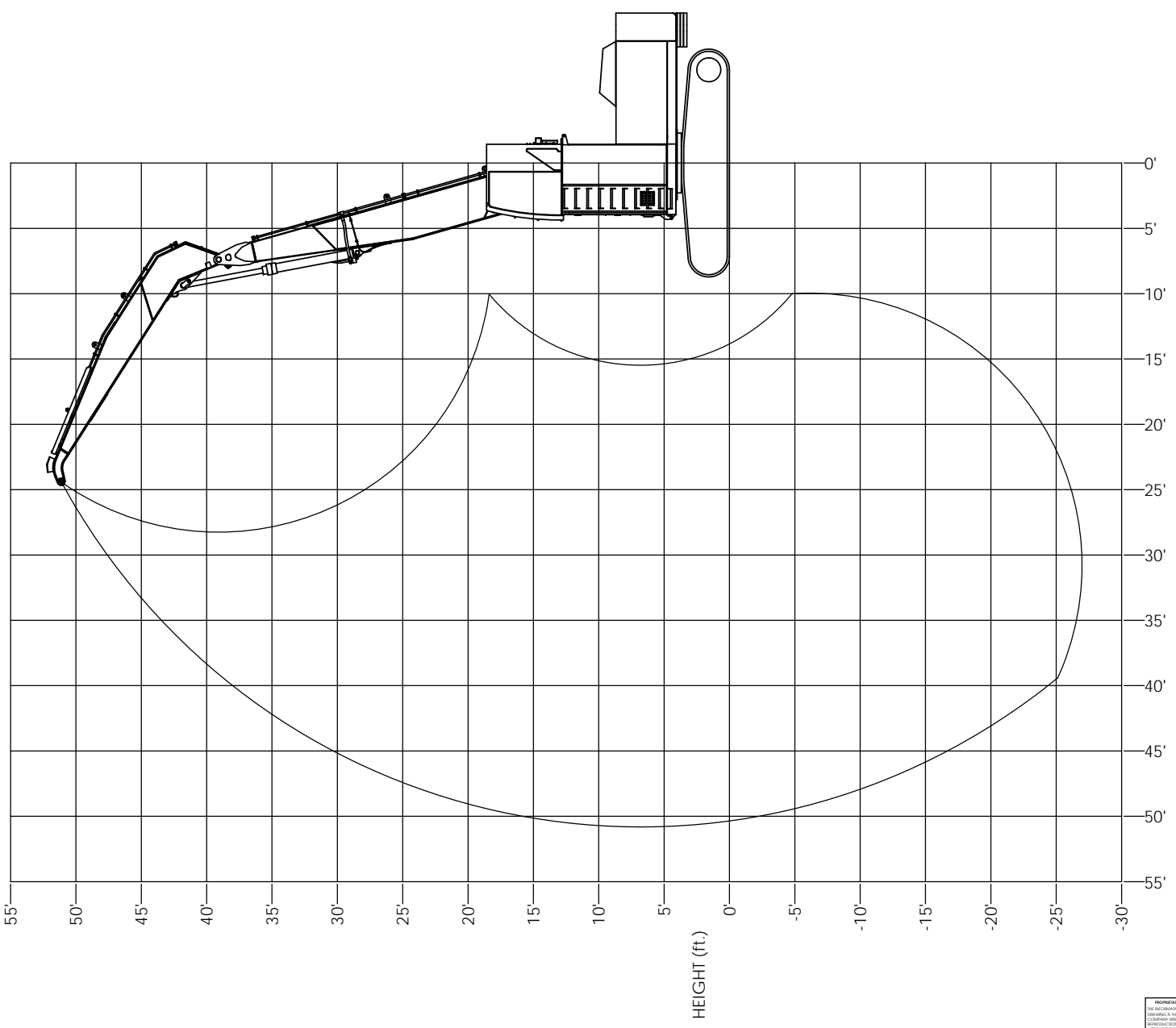


REVISIONS				
ZONE	REV.	DESCRIPTION	DATE	APPROVED



REACH (ft.)

HEIGHT (ft.)

MATERIAL:		


 4805 SCOOPY LANE NW
 CARROLL, OHIO 43112
 740-654-5304

The Cutting Edge of Customer Service

PROPRIETARY AND CONFIDENTIAL
 THE INFORMATION CONTAINED HEREIN
 IS THE SOLE PROPERTY OF
 COMPANY WRENCH. ANY
 REPRODUCTION OR USE OF THIS
 INFORMATION WITHOUT THE WRITTEN PERMISSION OF
 COMPANY WRENCH IS PROHIBITED.

UNLESS OTHERWISE SPECIFIED
 DIMENSIONS FOR FINISHES ARE
 AS FOLLOWS:

DECIMAL: .0001"
 FRACTIONAL: 1/16"
 ANGLE: .1°

WEIGHT: #

SCALE: 1:46

SIZE: **D**

SHEET 1 OF 1

DWG./PART NO.

OM21116-1

TITLE:

CAT 336E L.M.H. RANGE

1