

# LABOUNTY®

[www.stanleyinfrastructure.com/brands/labounty](http://www.stanleyinfrastructure.com/brands/labounty)



## MHP 150-550

## MOBILE HYDRAULIC PULVERIZER

### PARTS MANUAL

519704 Parts Manual 11/2020 Ver. 1

# PREFACE

This manual contains information for the safe operation and maintenance of the LaBounty MHP Mobile Hydraulic Pulverizer. Read the entire manual before the initial start-up of the attachment. It is important to know the correct operating procedures of the attachment and all safety precautions to prevent the possibility of property damage and personal injury.

The LaBounty attachment has been designed and manufactured with high quality materials and care in workmanship. The instructions in this manual have been prepared to ensure that, when followed properly, the attachment will provide efficient and reliable service. Continuing product development and improvement may have caused changes in the attachment that are not reflected in this manual. If a question arises regarding the operation or maintenance of the attachment, contact a LaBounty dealer for the most current information available.

## IMPORTANT

This operator's manual must accompany the attachment at all times and be readily available to the operator.

## MANUAL REPLACEMENT

Should this manual become damaged, lost or additional copies are required, immediately contact any authorized LaBounty dealer. You may also download a PDF copy at [www.stanleyinfrastructure.com](http://www.stanleyinfrastructure.com).

## REGISTRATION FORM

The Warranty Registration Form must be filled out by the dealer or customer and returned to LaBounty indicating the date the machine went into service.

## POSSIBLE VARIATIONS

LaBounty cannot anticipate every possible circumstance that might involve a potential hazard, as the owner's requirements and equipment may vary. Therefore, the warnings in this publication and on the product may not be all-inclusive and you must ensure that the procedure, application, work method and operating technique is safe for you, and others, before operation.

## PUBLIC NOTICE

LaBounty reserves the right to make changes and improvements to its products and technical literature at any time, without public notice or obligation. LaBounty also reserves the right to discontinue manufacturing any product at its discretion, at any time.

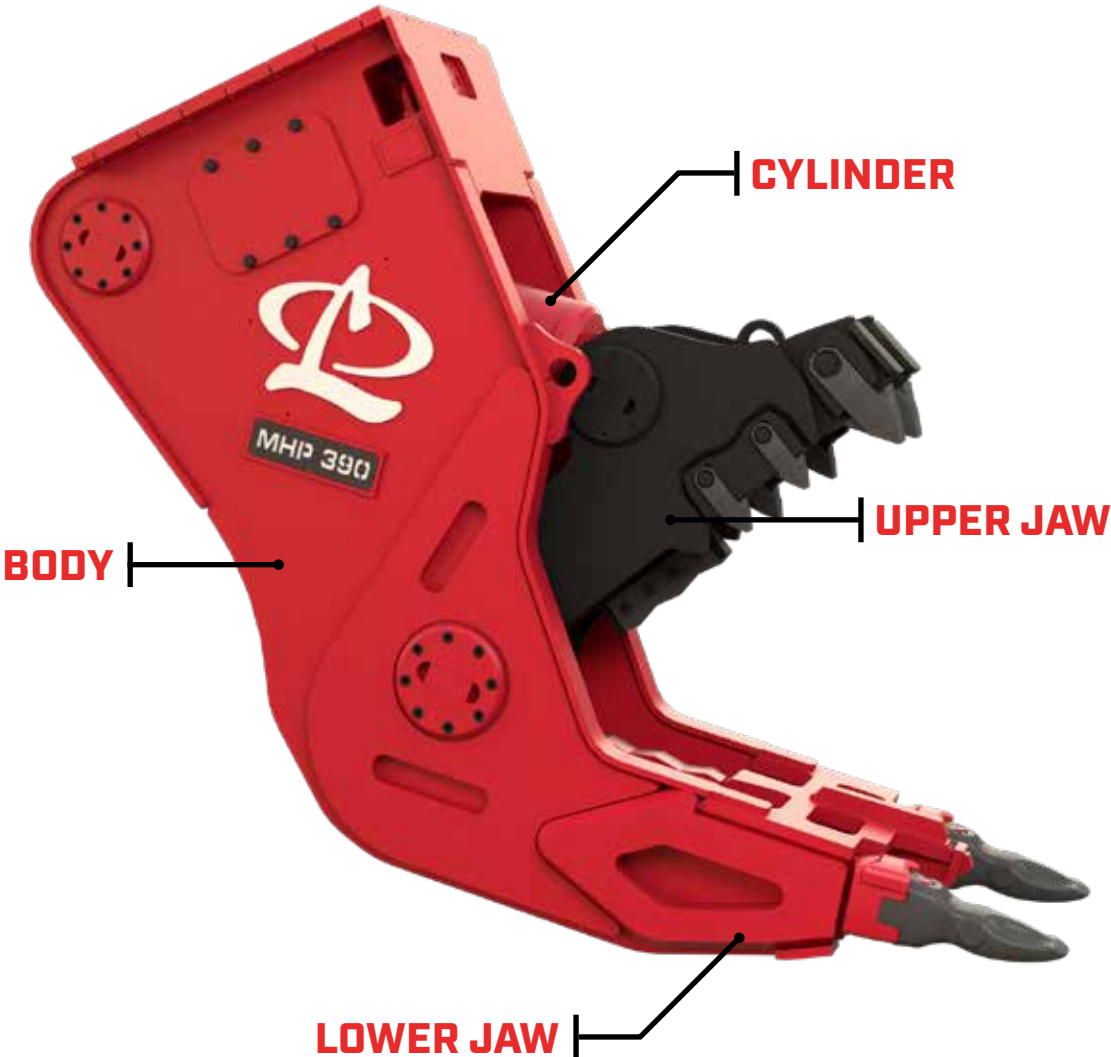
## WARRANTY

All work or repairs to be considered for warranty reimbursement must be authorized by the LaBounty Service Department before work is started. Any alterations, modifications or repairs performed before authorization by the LaBounty Service Department will render all warranty reimbursement consideration null and void without exception. Improper operation or improperly performed maintenance may render any warranty null and void.



# CONTENTS

<b>SAFETY</b> .....	<b>5</b>
<b>MHP80</b> .....	<b>7</b>
Body.....	7
Cylinder.....	9
<b>MHP150</b> .....	<b>11</b>
Body.....	11
Cylinder.....	13
<b>MHP220</b> .....	<b>15</b>
Body.....	15
Cylinder.....	17
<b>MHP300</b> .....	<b>19</b>
Body.....	19
Cylinder.....	21
<b>MHP390</b> .....	<b>23</b>
Body.....	23
Cylinder.....	25
<b>MHP550</b> .....	<b>27</b>
Body.....	27
Cylinder.....	29
<b>HYDRAULIC SCHEMATIC</b> .....	<b>31</b>
<b>BLADE KITS</b> .....	<b>32</b>
<b>WEAR PART KITS</b> .....	<b>32</b>
<b>WEAR PLATE KITS</b> .....	<b>32</b>

# TERMS



# SAFETY

	The Safety Alert Symbol alerts you to potential personal injury hazards. Obey all safety messages that follow to avoid possible injury or death.
	Indicates an imminently hazardous situation which will result in death or serious injury.
	Indicates a potentially hazardous situation which could result in death or serious injury.
	Indicates hazards that could result in damage to the equipment or personal injury
	Indicates important procedures



Your safety and the safety of others is a direct result of how you operate and maintain your equipment. Read and understand this manual and other safety information provided with the base machine and be sure that you understand all controls and operating

instructions before attempting to operate this equipment. Failure to follow the safety precautions can result in personal injury, death or property damage.

Carefully read all safety messages in this manual and on your equipment safety signs. Keep safety signs in good condition. Replace missing or damaged safety signs.

Because LaBounty cannot foresee all hazardous circumstances, the precautions listed in this manual and on the equipment are not all-inclusive. If a procedure, method, tool or part is not specifically recommended by LaBounty, determine whether it is safe for you and others, and that the equipment will not be damaged or made unsafe as a result of your decision to implement it.

The basic rules are summarized in this section of the manual. They also appear throughout the manual along with additional specific rules for safety and operation.

## GENERAL

- If the attachment is not functioning properly, shut down the machine, follow proper Lock-out / Tag-out procedures and follow proper repair procedures.
- Remove and replace any damaged or worn parts

with parts recommended by LaBounty. Use of parts that are not factory approved may cause damage or unnecessary downtime and may void the warranty.

- NEVER operate equipment without the original safety guards in place.
- DO NOT process material with the attachment over the operator's cab. Doing so will result in severe personal injury or death from falling debris.
- DO NOT attempt to process brittle materials, such as axles and railroad rail. DO NOT process any material in a position that may propel it toward the operator, other workers, buildings or equipment.
- Clear all persons and equipment from the area of operation and machine movement. NEVER move loads over people or equipment. When viewing the operation of the attachment, maintain a safe distance of at least 75 feet (23 meters).
- NEVER approach power lines with any part of the machine. Keep clear at a minimum of 15 feet (5 meters).
- DO NOT close the attachment on a structure and reverse the excavator in an attempt to pull down material.
- Use of this tool on certain materials could generate dust potentially containing a variety of hazardous substances, such as, asbestos, silica or lead. Inhalation of dust containing these, or other hazardous substances could result in serious injury, cancer or death. Protect yourself and those around you. Research and understand the materials you are processing. Follow safety procedures and comply with all applicable national, state or provisional health

and safety regulations relating to them. If appropriate, arrange for the safe disposal of the materials by a qualified person.

- Disassembly of any pin-connected attachment can be hazardous. NEVER remove any pin unless the attachment is on the ground and blocked up. Serious injury or death could result. Metal chips or debris may fly when a connecting pin is struck. Use a brass drift when striking pins and always wear protective clothing and proper eye protection. Pins may fly when struck with force to drive them in or out. Always keep people clear when removing or installing pins.
- Do not operate this, or any other equipment, under the influence of drugs or alcohol.
- DO NOT modify LaBounty equipment without factory authorization. This equipment is designed to do a specific job and alterations could result in injury.
- ALWAYS lower the boom to the ground before leaving the cab. If it is necessary to work on an attachment off the ground, securely support the machine and attachment. DO NOT support the machine on cinder blocks, hollow tiles or props that may crumble under continuous load. DO NOT rely on a cylinder to hold the attachment in the air. If a control is moved or hydraulic pressure is otherwise released, the attachment may drop. DO NOT work under a machine that is supported only by a jack.
- DO NOT weld on any structural member unless specifically authorized by LaBounty. Unauthorized welding will void the warranty, may cause structural failure and could result in personal injury.
- Keep clear of potential pinch points, including the moving upper jaw, cylinder connections, bucket linkages and other moving parts.
- Before operating the attachment, read and observe all safety instructions in the Operation & Maintenance manual. If you are unfamiliar with any operation or maintenance procedure, seek instruction before proceeding.
- Inspect the attachment daily. Do not operate a poorly maintained or damaged attachment.
- Never operate a machine if an unsafe condition exists. Attach a "Do Not Operate" tag to the machine.

## BASE MACHINE

- Ensure that the cab is equipped with the proper safety guards for LaBounty applications. The cab MUST be equipped with an approved Falling Object Protection Structure (FOPS) and cab guarding. The FOPS must meet the requirements of SAE standard J1356. A transparent, shatter-resistant shield covering the front of the cab, is also required. Contact your base machine equipment dealer or manufacturer for more information on the availability of FOPS and cab guarding. Lack of proper FOPS and guards may result in injury or death.

- Avoid tipping. The attachment will alter the lift capacities of the base machine. DO NOT overload the excavator or serious injury could result. Lift capacities will vary if the base machine is not on level ground. Lifting incorrectly can cause severe injury or machine damage. Use the recommended excavator counterweight. Use short slings and lift the load only as high as necessary.
- DO NOT allow riders on the machine. Riders are subject to serious injuries, such as being struck by foreign objects or being thrown off the machine. Riders also distract and obstruct the operator, resulting in the machine being operated in an unsafe manner. NEVER use the attachment as a work platform or personnel carrier.
- Check ground conditions before operating. Avoid unstable or slippery areas and position the base machine on firm, level ground. If level ground is not possible, position the base machine to use the attachment to the front or back of the carrier. Avoid working over the side of the base machine.

## HYDRAULIC

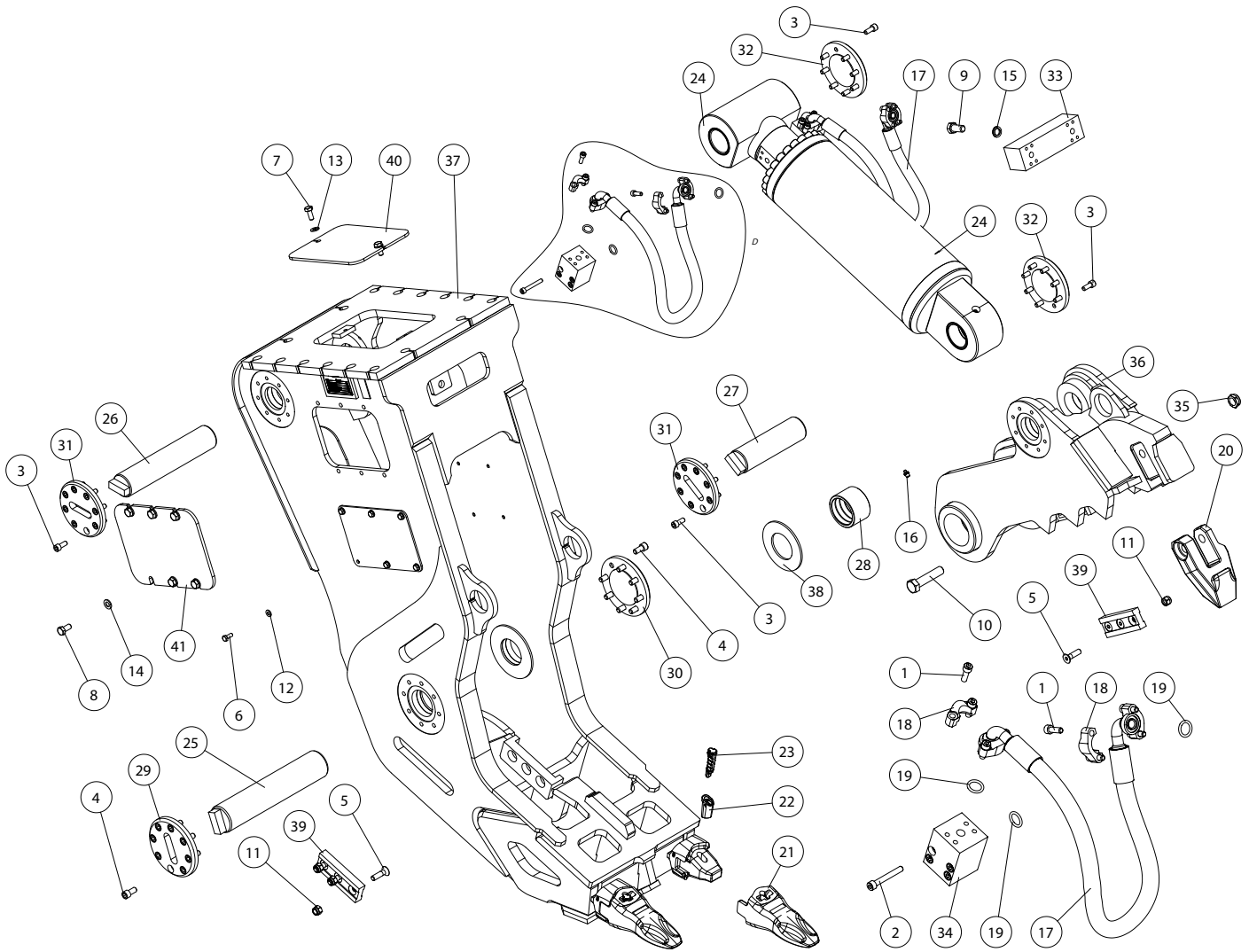
- Hydraulic oil becomes hot during operation. DO NOT come in contact with hot hydraulic oil as it could cause severe burns. Wear adequate protective clothing and safety equipment.
- DO NOT tamper with hydraulic lines or components while they are pressurized. Escaping fluid under pressure can penetrate the skin, causing serious injury. Keep hands and body away from pinholes and nozzles which eject fluids under high pressure. Use a piece of cardboard to search for leaks. If ANY fluid is injected into the skin, seek immediate medical assistance.

## PPE

- ALWAYS wear close-fitting clothing and safety equipment appropriate to the job. Safety equipment should be worn at all times when viewing, operating or maintaining the attachment. Safety equipment includes eye protection, hard hat, steel toe shoes, gloves, hearing protection and respirator.

# MHP80

## BODY



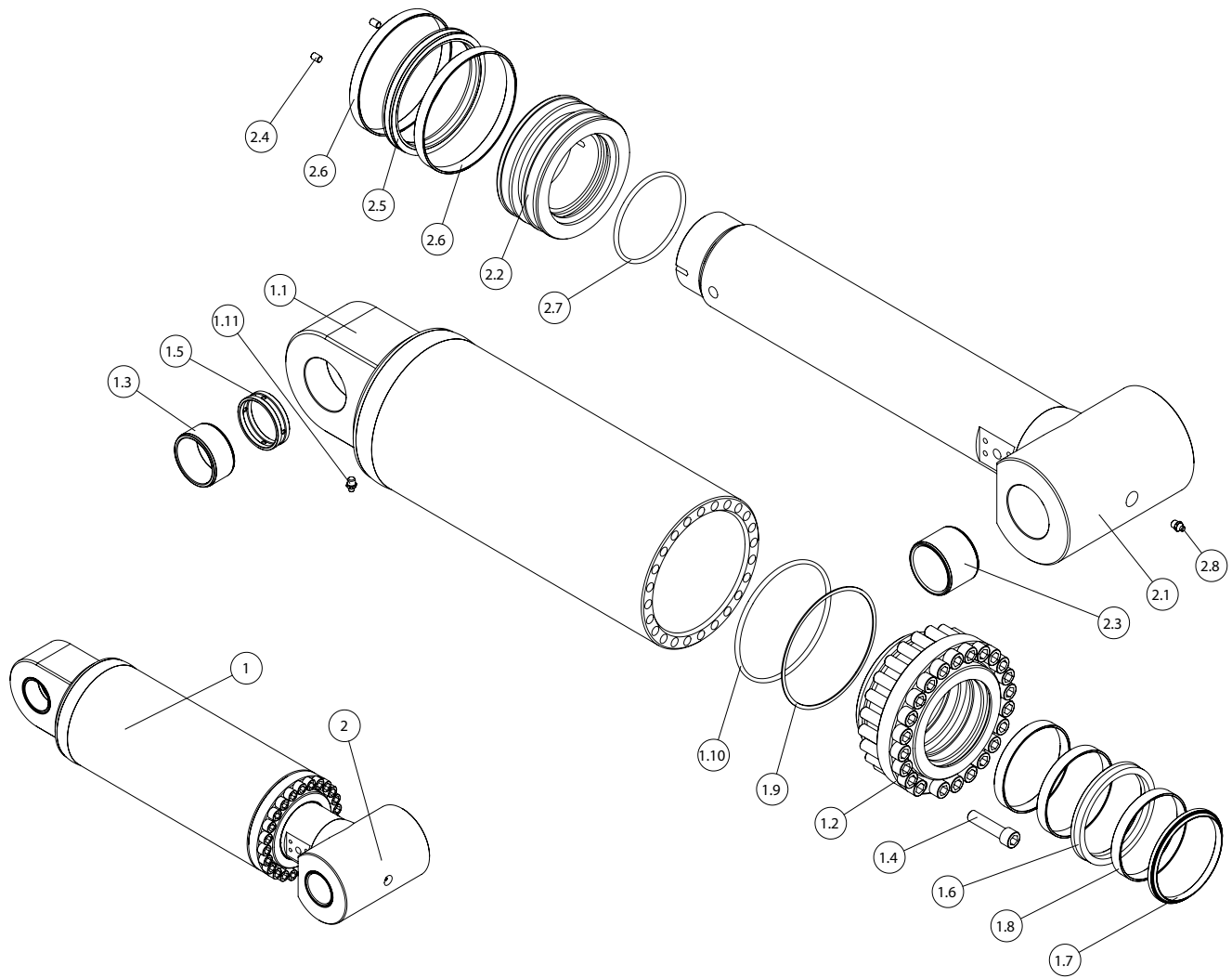
MHP80 Body Parts Illustration			
Item	Qty	Description	Part Number
1	16	SOCKET HEAD CAPSCREW	519533
2	8	SOCKET HEAD CAPSCREW	519534
3	32	SOCKET HEAD CAPSCREW	519452
4	16	SOCKET HEAD CAPSCREW	519917
5	6	SOCKET HEAD CAPSCREW	519149
6	12	SOCKET HEAD CAPSCREW	519231
7	2	HEX HEAD CAPSCREW	518192
8	12	HEX HEAD CAPSCREW	518706
9	2	HEX HEAD CAPSCREW	519918
10	1	HEX HEAD CAPSCREW	518171
11	6	HEX NUT W/NYLOCK	518351
12	12	FLAT WASHER	519233

## MHP80 Body Parts Illustration

Item	Qty	Description	Part Number
13	2	FLAT WASHER	518201
14	12	FLAT WASHER M12	519919
15	2	FLAT WASHER	518714
16	1	GREASE ZERK	518203
17	2	HYDRAULIC HOSE	519920
18	8	SPLIT FLANGE HALF	519158
19	6	O RING SEAL	519159
20	1	CUTTING EDGE	518171
21	2	CUTTING EDGE	519922
22	2	CUTTING EDGE LOCK	519923
23	2	CUTTING EDGE PIN	519924
24	1	CYLINDER ASSEMBLY	519162
25	1	PIN MACHINING	519164
26	1	PIN MACHINING	519165
27	1	PIN MACHINING	519166
28	2	BEARING MACHINING	519167
29	1	PIN RETAINER	519168
30	1	PIN RETAINER	519170
31	2	PIN RETAINER	519171
32	2	PIN RETAINER	519172
33	1	MANIFOLD MACHINING	519925
34	2	MANIFOLD MACHINING	519926
35	1	HEX NUT W/NYLOCK	518171
36	1	#N/A	#N/A
37	1	#N/A	#N/A
38	2	SPACER SHIM	519929
39	2	CUTTING EDGE	519177
40	1	COVER PLATE	519931
41	2	COVER PLATE	519932



# CYLINDER

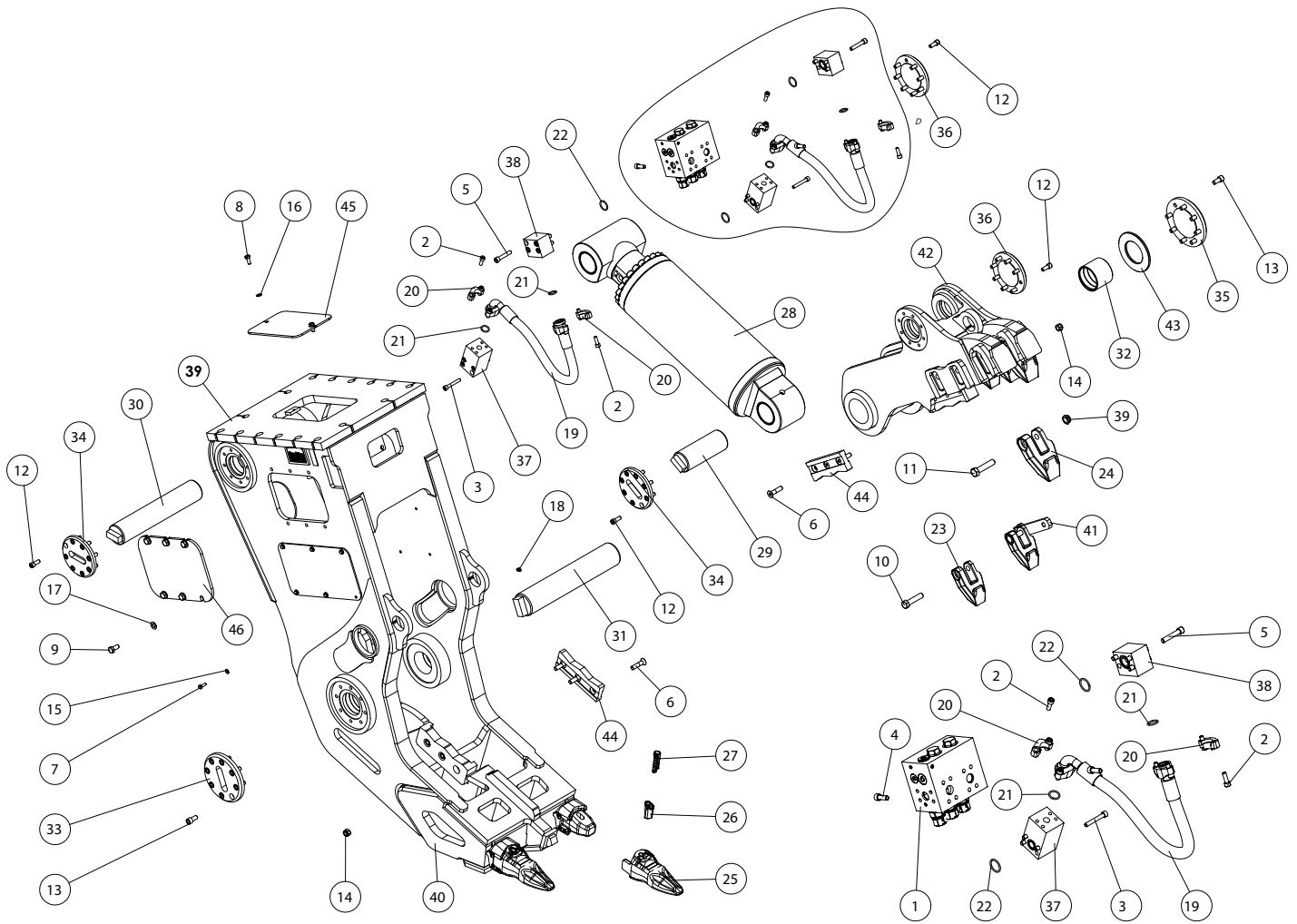


MHP80 Cylinder Parts Illustration

Item	Qty	Description	Part Number
1	1	TUBE ASSEMBLY	519210
1.1	1	TUBE WELD/MACHINE	519211
1.2	1	HEAD MACHINING	519212
1.3	2	BEARING MACHINING	519213
1.4	24	SOCKET HEAD CAPSCREW	519215
1.5	1	RING MACHINING	519216
1.6	1	SEAL (IN SEAL KIT)	519208
1.7	1	SEAL (IN SEAL KIT)	519208
1.8	3	SEAL (IN SEAL KIT)	519208
1.9	1	SEAL (IN SEAL KIT)	519208
1.10	1	SEAL (IN SEAL KIT)	519208
1.11	1	GREASE ZERK	518203
2	1	CYLINDER ROD ASSEMBLY	519218
2.1	1	ROD MACHINING	519219
2.2	1	PISTON MACHINING	519220
2.3	2	BEARING MACHINING	519221
2.4	2	DOWEL MACHINING	519222
2.5	1	SEAL (IN SEAL KIT)	519208
2.6	2	SEAL (IN SEAL KIT)	519208
2.7	1	SEAL (IN SEAL KIT)	519208
2.8	1	GREASE ZERK	518203

# MHP150

## BODY

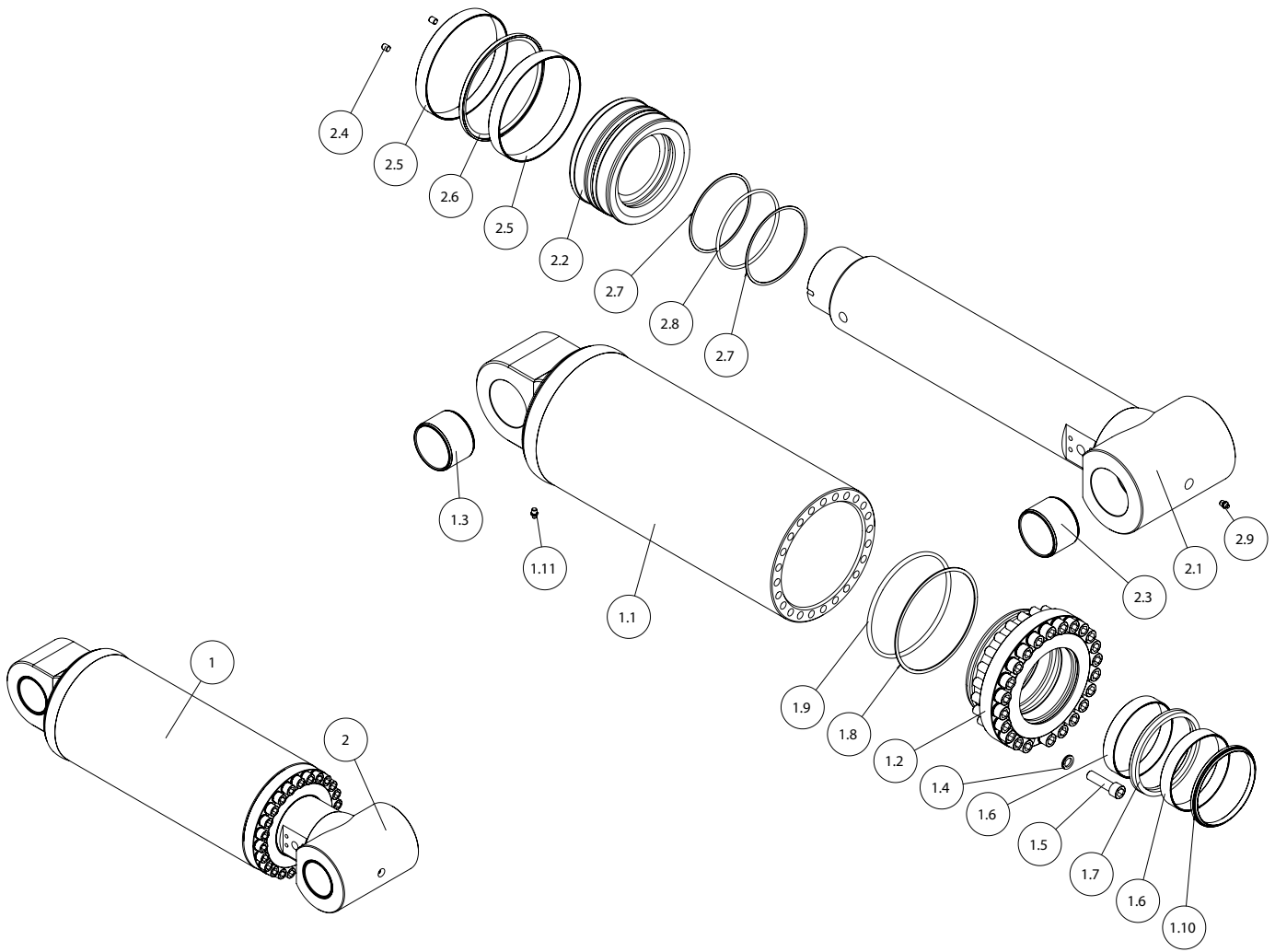


MHP150 Body Parts Illustration			
Item	Qty	Description	Part Number
1	1		
2	16	SOCKET HEAD CAPSCREW	518897
3	8	SOCKET HEAD CAPSCREW	518898
4	4	SOCKET HEAD CAPSCREW	519609
5	8	SOCKET HEAD CAPSCREW	519857
6	6	SOCKET HEAD CAPSCREW	518899
7	12	HEX HEAD CAPSCREW	519150
8	2	HEX HEAD CAPSCREW	518192
9	12	HEX HEAD CAPSCREW	518195
10	4	HEX HEAD CAPSCREW	518169
11	2	HEX HEAD CAPSCREW	518615
12	32	HEX HEAD CAPSCREW	519878

## MHP150 Body Parts Illustration

Item	Qty	Description	Part Number
13	16	HEX NUT W/NYLOCK	518198
14	6	HEX NUT W/NYLOCK	518901
15	12	FLAT WASHER	519233
16	2	FLAT WASHER	518201
17	12	FLAT WASHER	518202
18	2	GREASE ZERK	518203
19	2	HYDRAULIC HOSE	519879
20	8	SPLT FLANGE HALF	518905
21	4	ORING SEAL	518906
22	4	O RING SEAL	518205
23	4	CUTTING EDGE	518169
24	2	CUTTING EDGE	518171
25	2	CUTTING EDGE	519880
26	2	CUTTING EDGE	519881
27	2	CUTTING EDGE PIN	519882
28	1	CYLINDER ASSEMBLY	518907
29	1	PIN MACHINING	519883
30	1	MACHINED PIN	518908
31	1	MACHINED PIN	518910
32	2	BEARING MACHINING	518911
33	1	PIN RETAINER	518217
34	2	PIN RETAINER	518912
35	1	PIN RETAINER	518218
36	2	PIN RETAINER	518915
37	2	MANIFOLD MACHINING	518916
38	2	MANIFOLD MACHINING	519884
39	2	HEX NUT W/NYLOCK	518171
40	1	STICK WELDMENT MACHINE	519886
41	2	CUTTING EDGE PLATE	519887
42	1	UPPER WELDMENT MACHINE	519888
43	2	SHIM SPACER	518919
44	2	CUTTING EDGE	518920
45	1	COVER PLATE	519877
46	2	COVER PLATE	518226

# CYLINDER

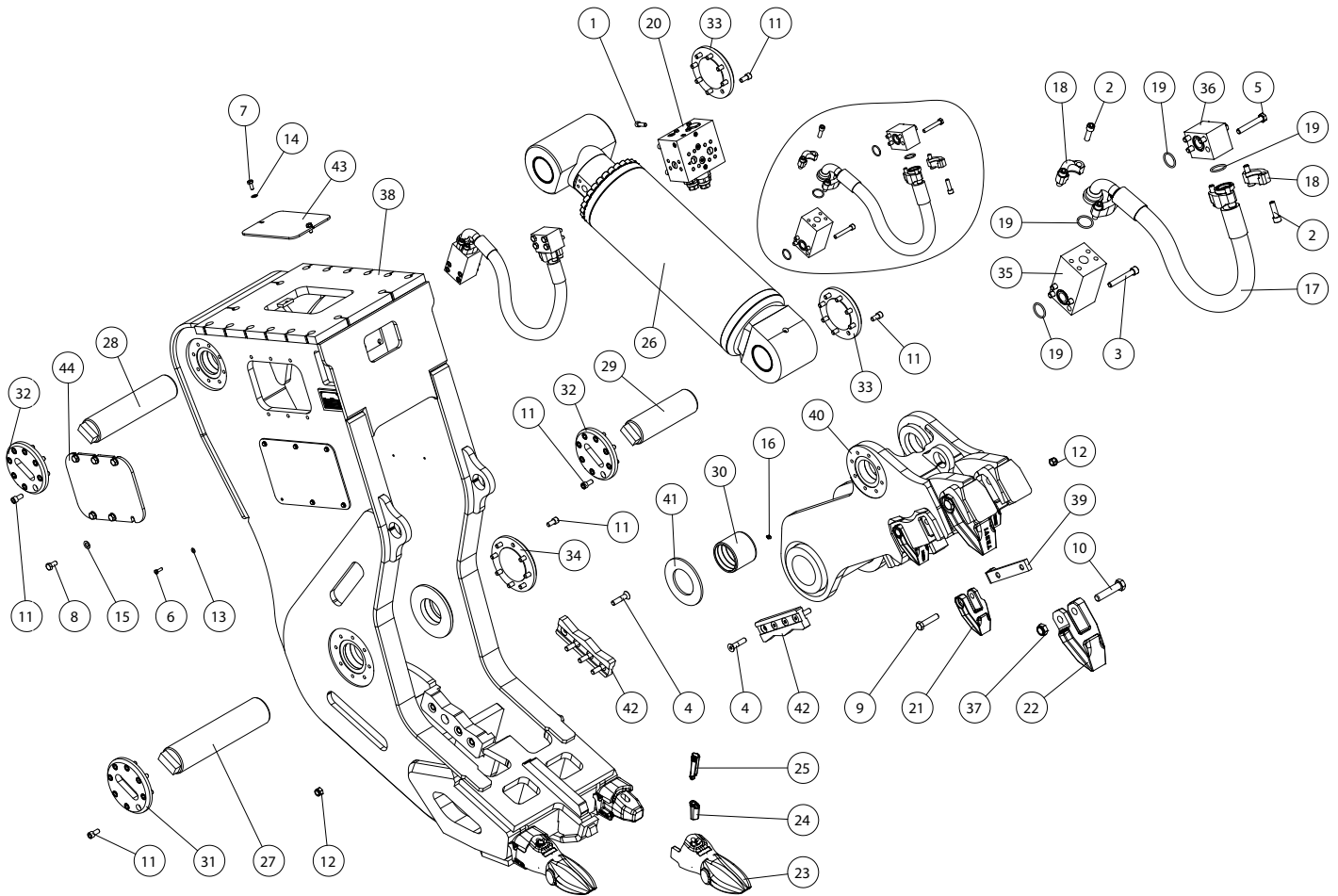


MHP150 Cylinder Parts Illustration

Item	Qty	Description	Part Number
1	1	#N/A	#N/A
1.1	1	TUBE ASSEMBLY	518856
1.2	1	HEAD MACHINING	518921
1.3	2	BEARING MACHINING	518922
1.4	24	FLAT WASHER	518714
1.5	24	SOCKET HEAD CAPSCREW	518924
1.6	2	SEAL (IN SEAL KIT)	518855
1.7	1	SEAL (IN SEAL KIT)	518855
1.8	1	SEAL (IN SEAL KIT)	518855
1.9	1	SEAL (IN SEAL KIT)	518855
1.10	1	SEAL (IN SEAL KIT)	518855
1.11	1	GREASE ZERK	518203
2	1	CYLINDER ROD ASSEMBLY	518926
2.1	1	ROD MACHINING	518927
2.2	1	PISTON MACHINING	518928
2.3	2	BEARING MACHINING	518922
2.4	2	DOWEL MACHINING	518821
2.5	2	SEAL (IN SEAL KIT)	518855
2.6	1	SEAL (IN SEAL KIT)	518855
2.7	2	SEAL (IN SEAL KIT)	518855
2.8	1	SEAL (IN SEAL KIT)	518855
2.9	1	GREASE ZERK	518203

# MHP220

## BODY



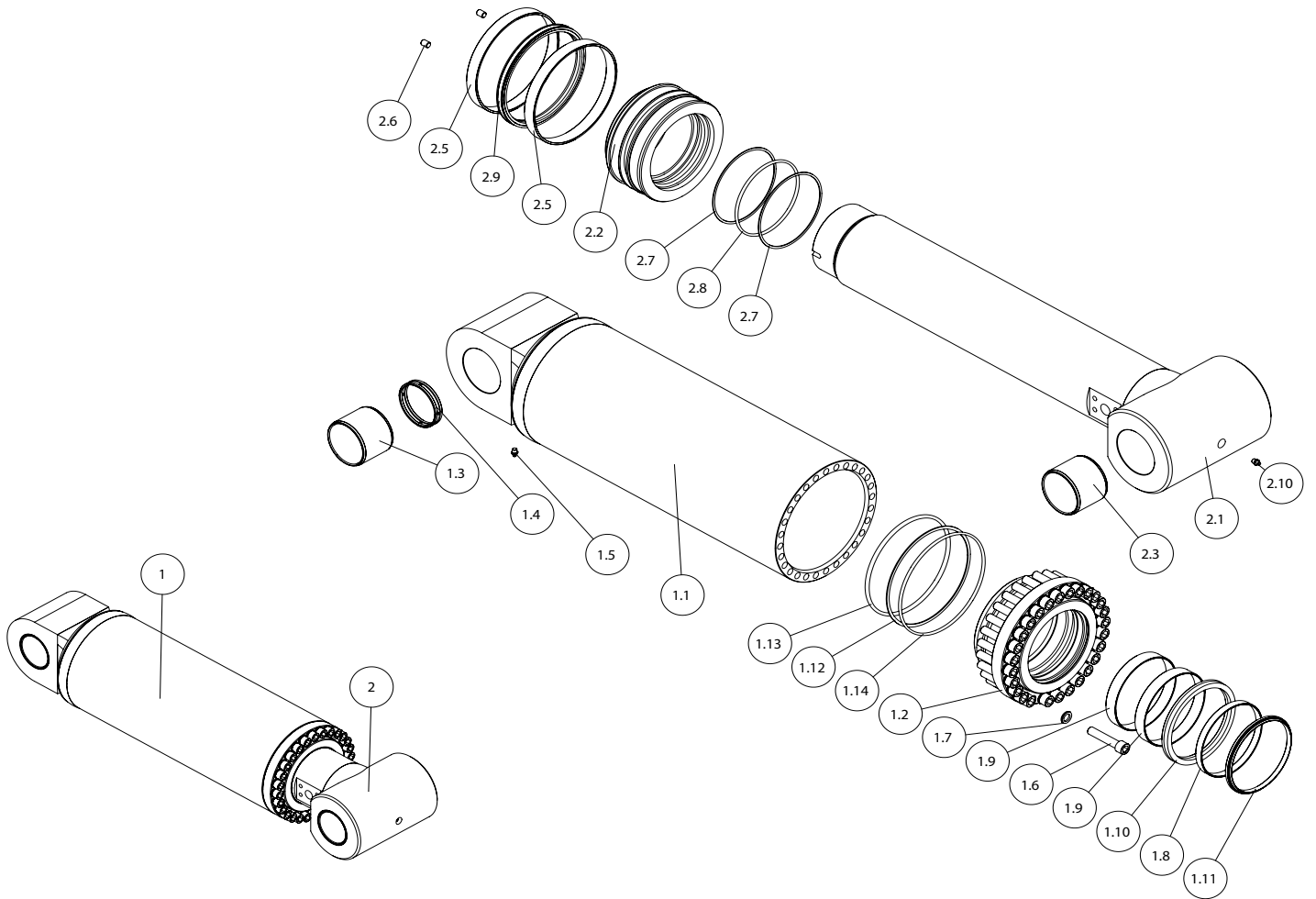
MHP220 Body Parts Illustration			
Item	Qty	Description	Part Number
1	4	SOCKET HEAD CAPSCREW	519609
2	16	SOCKET HEAD CAPSCREW	518186
3	8	SOCKET HEAD CAPSCREW	518187
4	8	HEX HEAD CAPSCREW	518191
5	8	HEX HEAD CAPSCREW	518239
6	12	HEX HEAD CAPSCREW	519150
7	2	HEX HEAD CAPSCREW	518192
8	12	HEX HEAD CAPSCREW	518195
9	4	HEX HEAD CAPSCREW	518169
10	2	HEX HEAD CAPSCREW	518170
11	48	HEX NUT W/NYLOCK	518198

MHP220 Body Parts Illustration

Item	Qty	Description	Part Number
12	8	HEX NUT W/NYLOCK	518199
13	12	FLAT WASHER	519233
14	2	FLAT WASHER	518201
15	12	FLAT WASHER	518202
16	1	GREASE ZERK	518203
17	2	HYDRAULIC HOSE	519866
18	8	SPLIT FLANGE HALF	518204
19	8	O RING SEAL	518205
20	1	REGEN VALVE	519612
21	4	CUTTING EDGE	518169
22	2	CUTTING EDGE	518170
23	2	CUTTING EDGE	519868
24	2	CUTTING EDGE	519869
25	2	CUTTING EDGE PIN	519870
26	1	MACHINING PIN	518211
27	1	PIN MACHINING	519871
28	1	PIN MACHINING	519872
29	1	MACHINING PIN	518212
30	2	BEARING MACHINING	518215
31	1	PIN RETAINER	518216
32	2	PIN RETAINER	518217
33	2	PIN RETAINER	518218
34	1	PIN RETAINER	518219
35	2	MANIFOLD MACHINING	518220
36	2	MANIFOLD MACHINING	519873
37	2	HEX NUT W/NYLOCK	518170
38	1	STICK WELDMENT MACHINE	519874
39	2	CUTTING EDGE PLATE	519865
40	1	UPPPER WELDMENT MACHINE	519875
41	2	SPACER SHIM	518223
42	2	PIN RETAINER	518225
43	1	COVER PLATE	519877
44	2	COVER PLATE	518226



# CYLINDER

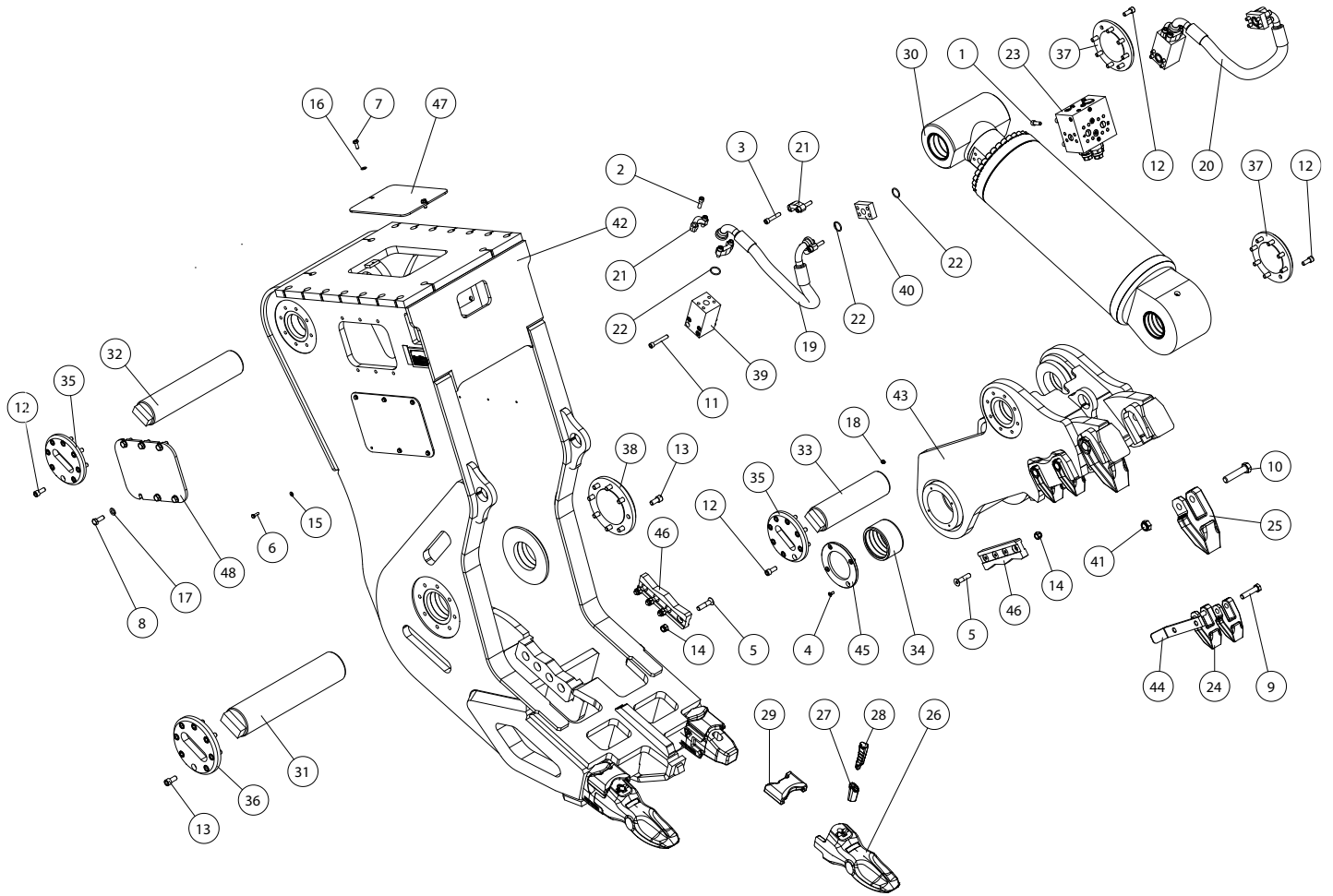


MHP220 Cylinder Parts Illustration

Item	Qty	Description	Part Number
1	1	TUBE ASSEMBLY	518889
1.1	1	TUBE WELD/MACHINE	518890
1.2	1	HEAD MACHINING	518891
1.3	2	BEARING MACHINING	518796
1.4	1	RING MACHINING	518892
1.5	1	GREASE ZERK	518203
1.6	28	SOCKET HEAD CAPSCREW	518760
1.7	28	FLAT WASHER	518714
1.8	1	SEAL (IN SEAL KIT)	518885
1.9	2	SEAL (IN SEAL KIT)	518885
1.10	1	SEAL (IN SEAL KIT)	518885
1.11	1	SEAL (IN SEAL KIT)	518885
1.12	1	SEAL (IN SEAL KIT)	518885
1.13	1	SEAL (IN SEAL KIT)	518885
1.14	1	SEAL (IN SEAL KIT)	518885
2	1	CYLINDER ROD ASSEMBLY	518893
2.1	1	ROD MACHINING	518894
2.2	1	PISTON MACHINING	518896
2.3	2	BEARING MACHINING	518796
2.4	1	BEARING MACHINING	518798
2.5	2	SEAL (IN SEAL KIT)	518885
2.6	2	DOWEL MACHINING	518797
2.7	2	SEAL (IN SEAL KIT)	518885
2.8	1	SEAL (IN SEAL KIT)	518885
2.9	1	SEAL (IN SEAL KIT)	518885
2.10	1	GREASE ZERK	518203

# MHP300

## BODY

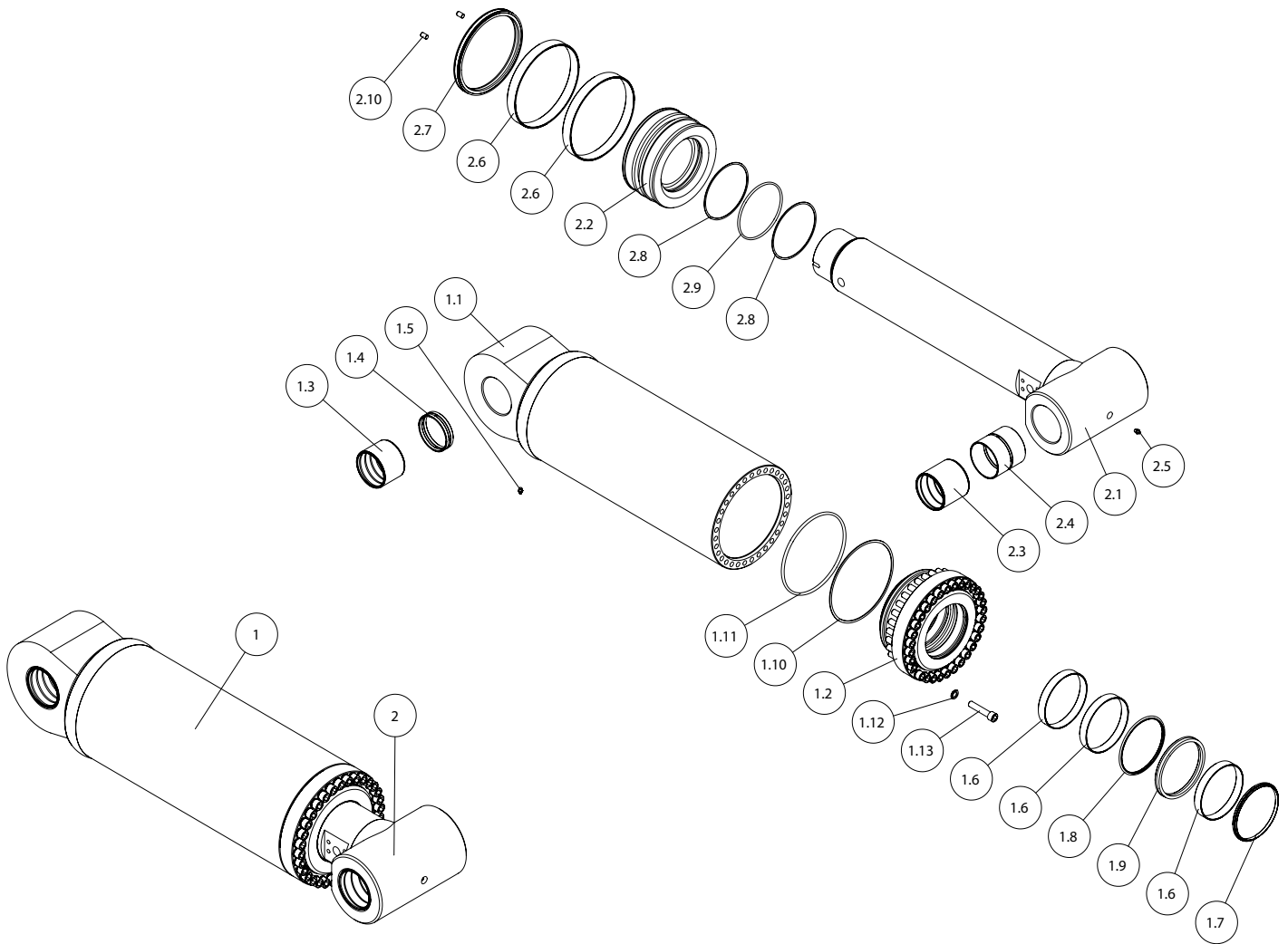


MHP300 Body Parts Illustration			
Item	Qty	Description	Part Number
1	4	SOCKET HEAD CAPSCREW	519609
2	8	SOCKET HEAD CAPSCREW	518186
3	8	SOCKET HEAD CAPSCREW	519857
4	8	SOCKET HEAD CAPSCREW	519498
5	8	HEX HEAD CAPSCREW	518191
6	12	HEX HEAD CAPSCREW	519150
7	2	HEX HEAD CAPSCREW	518192
8	12	HEX HEAD CAPSCREW	519610
9	4	HEX HEAD CAPSCREW	518169
10	2	HEX HEAD CAPSCREW	518170
11	8	SOCKET HEAD CAPSCREW	519611
12	32	SOCKET HEAD CAPSCREW	518241
13	16	SOCKET HEAD CAPSCREW	518242

MHP300 Body Parts Illustration

Item	Qty	Description	Part Number
14	8	HEX NUT W/NYLOCK	518199
15	12	FLAT WASHER	519233
16	2	FLAT WASHER	518201
17	12	FLAT WASHER	518202
18	2	GREASE ZERK	518203
19	1	HYDRAULIC HOSE	519859
20	1	HYDRAULIC HOSE	519860
21	8	SPLIT FLANGE HALF	518204
22	8	O RING SEAL	518205
23	1	REGEN VALVE	519612
24	4	CUTTING EDGE	518169
25	2	CUTTING EDGE	518170
26	2	CUTTING EDGE	519613
27	2	CUTTING EDGE	519614
28	2	CUTTING EDGE PIN	519616
29	2	CUTTING EDGE PLATE	519617
30	1	CYLINDER ASSEMBLY	518248
31	1	PIN MACHINING	518249
32	1	MACHINING PIN	518213
33	1	PIN MACHINING	519861
34	2	BEARING MACHINING	518251
35	2	PIN RETAINER	518216
36	1	PIN RETAINER	518252
37	2	PIN RETAINER	518219
38	1	PIN RETAINER	518253
39	2	MANIFOLD MACHINING	518220
40	2	MANIFOLD MACHINING	519862
41	2	HEX NUT W/NYLOCK	518170
42	1	STICK WELDMENT MACHINE	519863
43	1	UPPER WELDMENT MACHINE	519864
44	2	CUTTING EDGE PLATE	519865
45	2	SPACER SHIM	518600
46	2	PIN RETAINER	518225
47	1	COVER PLATE	519622
48	2	COVER PLATE	518226

# CYLINDER

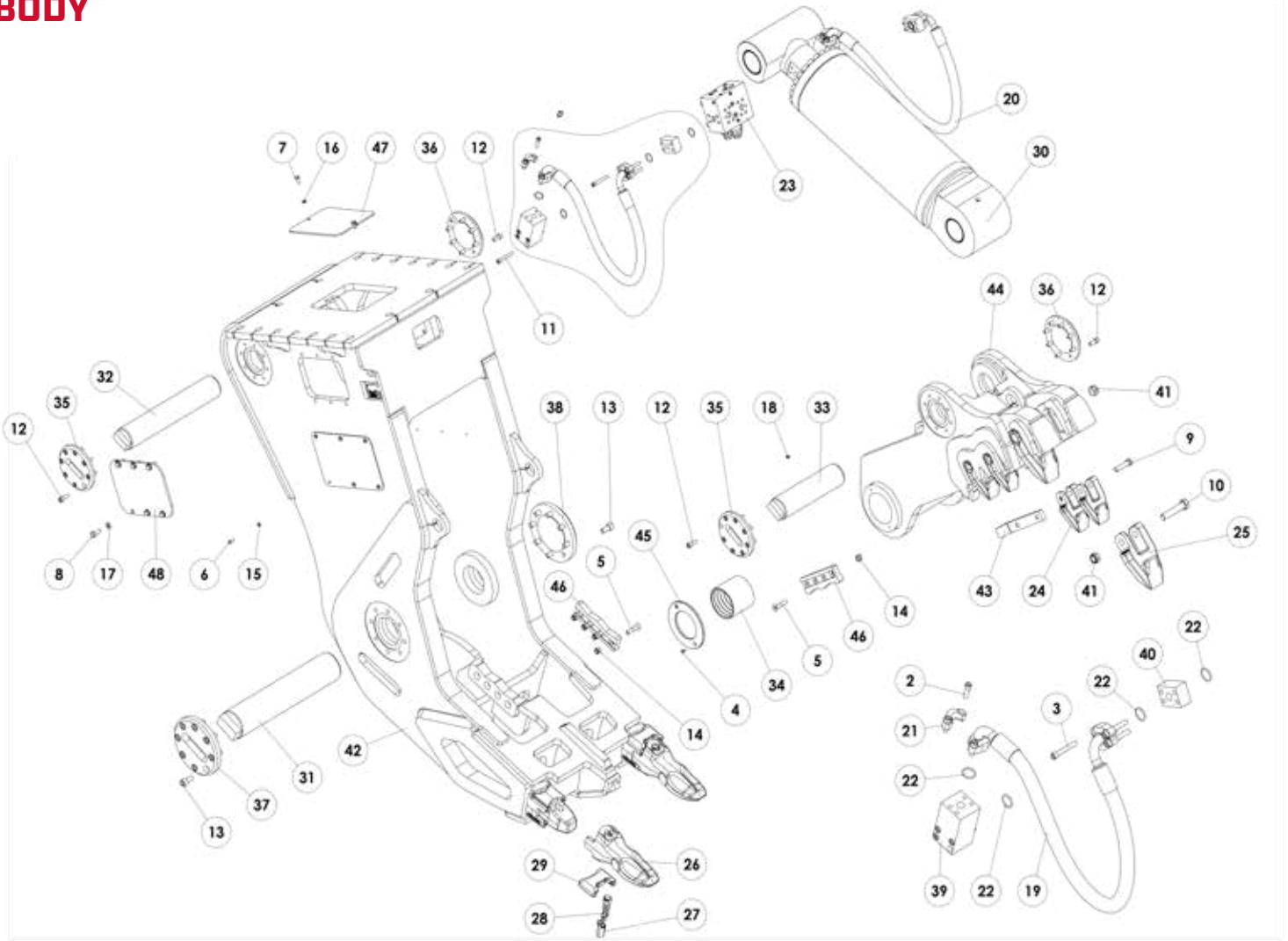


MHP300 Cylinder Parts Illustration

Item	Qty	Description	Part Number
1	1	TUBE ASSEMBLY	518754
1.1	1	TUBE WELD/MACHINE	518755
1.2	1	HEAD MACHINING	518756
1.3	2	BEARING MACHINING	518758
1.4	1	RING MACHINING	518759
1.5	1	GREASE ZERK	518203
1.6	3	SEAL (IN SEAL KIT)	518753
1.7	1	SEAL (IN SEAL KIT)	518753
1.8	1	SEAL (IN SEAL KIT)	518753
1.9	1	SEAL (IN SEAL KIT)	518753
1.10	1	SEAL (IN SEAL KIT)	518753
1.11	1	SEAL (IN SEAL KIT)	518753
1.12	32	FLAT WASHER	518714
1.13	32	SOCKET HEAD CAPSCREW	518760
2	1	CYLINDER ROD ASSEMBLY	518761
2.1	1	ROD MACHINING	518762
2.2	1	SEAL (IN SEAL KIT)	518753
2.3	2	PISTON MACHINING	518763
2.4	1	BEARING MACHINING	518766
2.5	1	GREASE ZERK	518203
2.6	2	SEAL (IN SEAL KIT)	518753
2.7	1	SEAL (IN SEAL KIT)	518753
2.8	2	SEAL (IN SEAL KIT)	518753
2.9	1	SEAL (IN SEAL KIT)	518753
2.10	2	DOWEL MACHINING	518768

# MHP390

## BODY



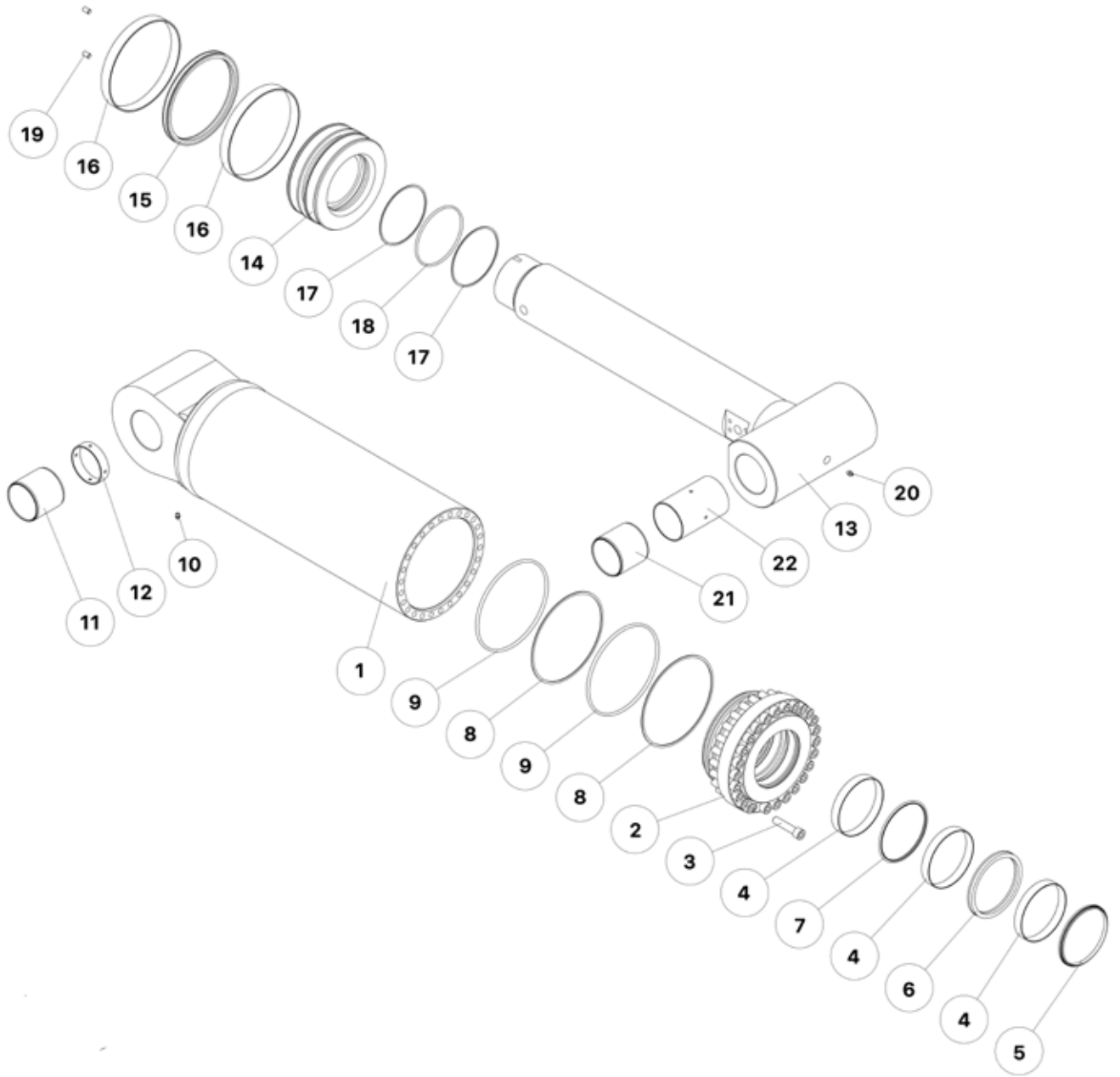
MHP390 Body Parts Illustration			
Item	Qty	Description	Part Number
1	4	SOCKET HEAD CAPSCREW	519609
2	8	SOCKET HEAD CAPSCREW	518186
3	8	SOCKET HEAD CAPSCREW	518187
4	4	SOCKET HEAD CAPSCREW	519498
5	8	HEX HEAD CAPSCREW	518782
6	12	HEX HEAD CAPSCREW	519150
7	2	HEX HEAD CAPSCREW	518192
8	12	HEX HEAD CAPSCREW	519610
9	4	HEX HEAD CAPSCREW	518171
10	2	HEX HEAD CAPSCREW	518172
11	8	SOCKET HEAD CAPSCREW	519611
12	32	SOCKET HEAD CAPSCREW	518241

MHP390 Body Parts Illustration

Item	Qty	Description	Part Number
13	16	HEX HEAD CAPSCREW	518433
14	8	HEX NUT W/NYLOCK	518782
15	12	FLAT WASHER	519233
16	2	FLAT WASHER	518201
17	12	FLAT WASHER	518202
18	1	GREASE ZERK	518203
19	1	HOSE ASSEMBLY	518245
20	1	HOSE ASSEMBLY	518246
21	8	SPLIT FLANGE HALF	518204
22	8	O RING SEAL	518205
23	1	REGEN VALVE	519612
24	4	CUTTING EDGE	518171
25	2	CUTTING EDGE	518172
26	2	CUTTING EDGE	519613
27	2	CUTTING EDGE	519614
28	2	CUTTING EDGE PIN	519616
29	2	CUTTING EDGE PLATE	519617
30	1	CYLINDER ASSEMBLY	518267
31	1	PIN MACHINING	518268
32	1	PIN MACHINING	518269
33	1	PIN MACHINING	518270
34	2	BEARING MACHINING	518271
35	2	PIN RETAINER	518216
36	2	PIN RETAINER	518219
37	1	PIN RETAINER	518272
38	1	PIN RETAINER	518273
39	2	MANIFOLD MACHINING	518220
40	2	MANIFOLD MACHINING	518256
41	2	HEX NUT W/NYLOCK	518172
42	1	STICK WELDMENT MACHINE	519618
43	2	CUTTING EDGE PLATE	519619
44	1	UPPER WELDMENT	519620
45	2	THRUST WASHER MACHINING	519621
46	2	PIN RETAINER	518782
47	1	COVER PLATE	519622
48	2	COVER PLATE	518226



# CYLINDER

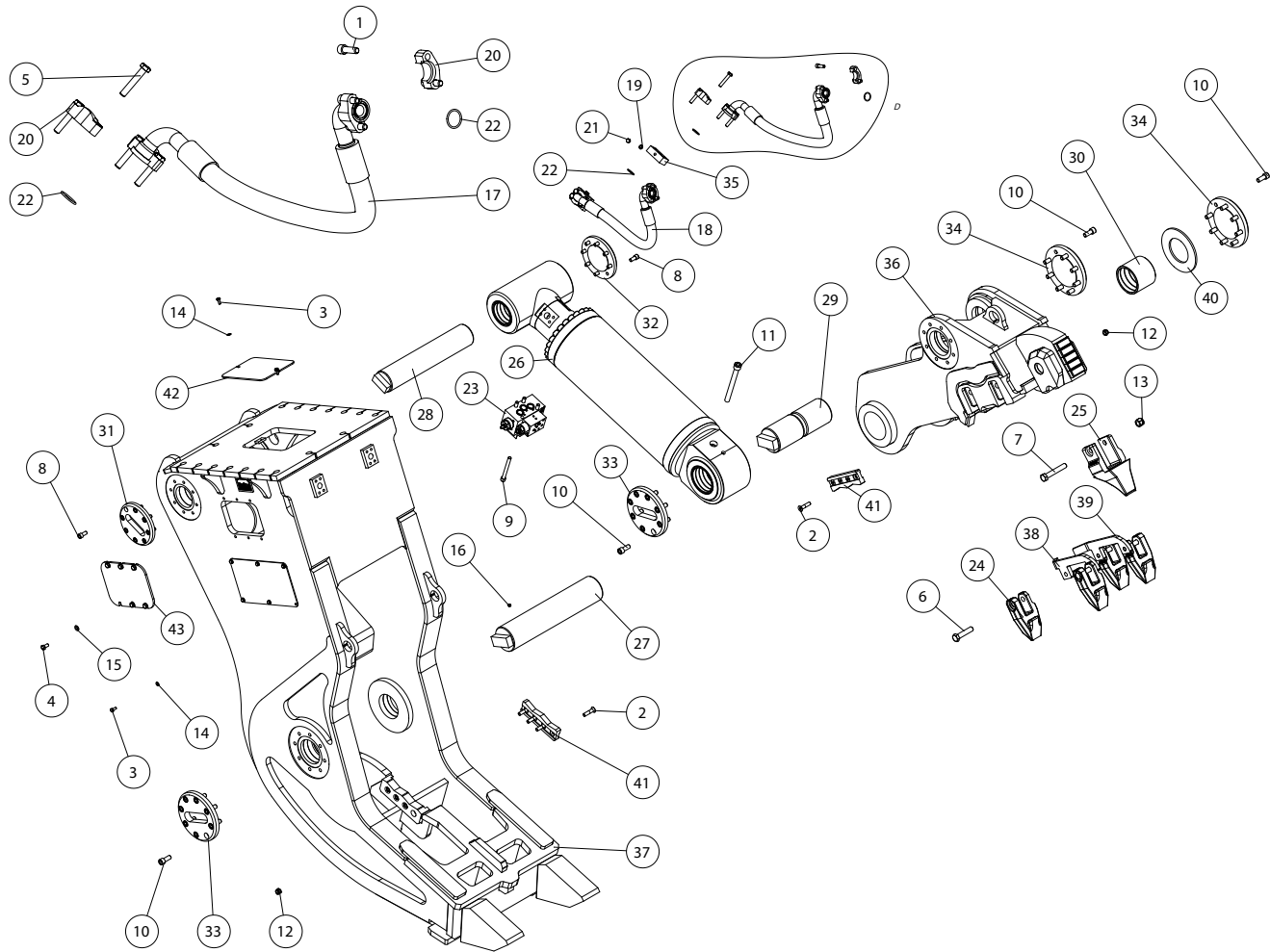


MHP390 Body Parts Illustration

Item	Qty	Description	Part Number
1	1	TUBE WELD/MACHINE	518771
2	1	HEAD MACHINING	518772
3	26	SOCKET HEAD CAPSCREW	518773
4	3	SEAL (IN SEAL KIT)	518769
5	1	SEAL (IN SEAL KIT)	518769
6	1	SEAL (IN SEAL KIT)	518769
7	1	SEAL (IN SEAL KIT)	518769
8	2	SEAL (IN SEAL KIT)	518769
9	2	SEAL (IN SEAL KIT)	518769
10	1	GREASE ZERK	518203
11	2	BEARING MACHINING	518774
12	1	RING MACHINING	518775
13	1	ROD MACHINING	518778
14	1	PISTON MACHINING	518779
15	1	SEAL (IN SEAL KIT)	518769
16	2	SEAL (IN SEAL KIT)	518769
17	2	SEAL (IN SEAL KIT)	518769
18	1	SEAL (IN SEAL KIT)	518769
19	2	DOWEL MACHINING	518768
20	1	GREASE ZERK	518203
21	2	BEARING MACHINING	518774
22	1	BEARING MACHINING	518787

# MHP550

## BODY

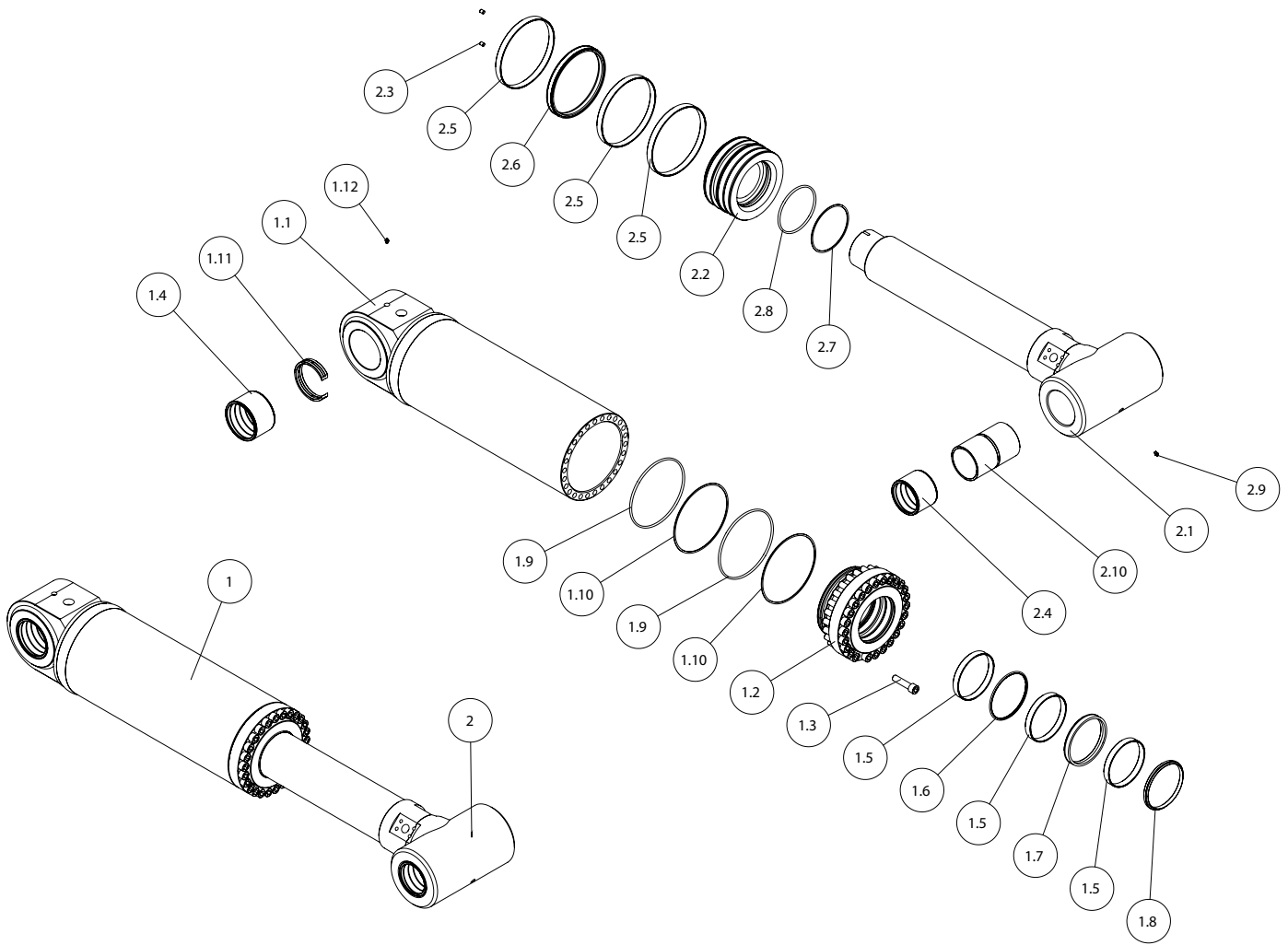


MHP550 Body Parts Illustration			
Item	Qty	Description	Part Number
1	8	SOCKET HEAD CAPSCREW	518278
2	8	HEX HEAD CAPSCREW	518782
3	14	HEX HEAD CAPSCREW	518192
4	12	HEX HEAD CAPSCREW	518195
5	8	HEX HEAD CAPSCREW	519713
6	4	HEX HEAD CAPSCREW	518170
7	1	HEX HEAD CAPSCREW	519451
8	16	SOCKET HEAD CAPSCREW	518242
9	4	SOCKET HEAD CAPSCREW	519715
10	32	SOCKET HEAD CAPSCREW	518226
11	1	SOCKET HEAD CAPSCREW	519716
12	8	HEX NUT W/NYLOCK	518782
13	1	HEX NUT W/NYLOCK	519451

MHP550 Body Parts Illustration

Item	Qty	Description	Part Number
14	14	FLAT WASHER	518201
15	12	FLAT WASHER	518202
16	1	GREASE ZERK	518203
17	1	HYDRAULIC HOSE	519892
18	1	HYDRAULIC HOSE	519893
19	2	FLAT WASHER	518308
20	8	SPLIT FLANGE HALF	518309
21	2	HYDRAULIC ADAPTOR PLUG	518310
22	6	O RING SEAL	518311
23	1	REGEN VALVE	519559
24	4	CUTTING EDGE	518170
25	1	ATLAS CUTTING EDGE 020	519451
26	1	CYLINDER ASSEMBLY	519431
27	1	PIN MACHINING	519402
28	1	PIN MACHINING	519899
29	1	PIN MACHINING	519405
30	2	BEARING MACHINING	519406
31	1	PIN RETAINER	518252
32	1	PIN RETAINER	518253
33	2	PIN RETAINER	519720
34	2	PIN RETAINER	519721
35	2	MANIFOLD MACHINING	519722
36	1	UPPER WELDMENT MACHINING	520152
37	1	STICK WELDMENT MACHINING	520153
38	1	CUTTING EDGE PLATE	519905
39	1	CUTTING EDGE PLATE	519906
40	2	SPACER SHIM	519407
41	2	PIN RETAINER	518782
42	1	COVER PLATE	519622
43	2	LOGO PLATE	518262

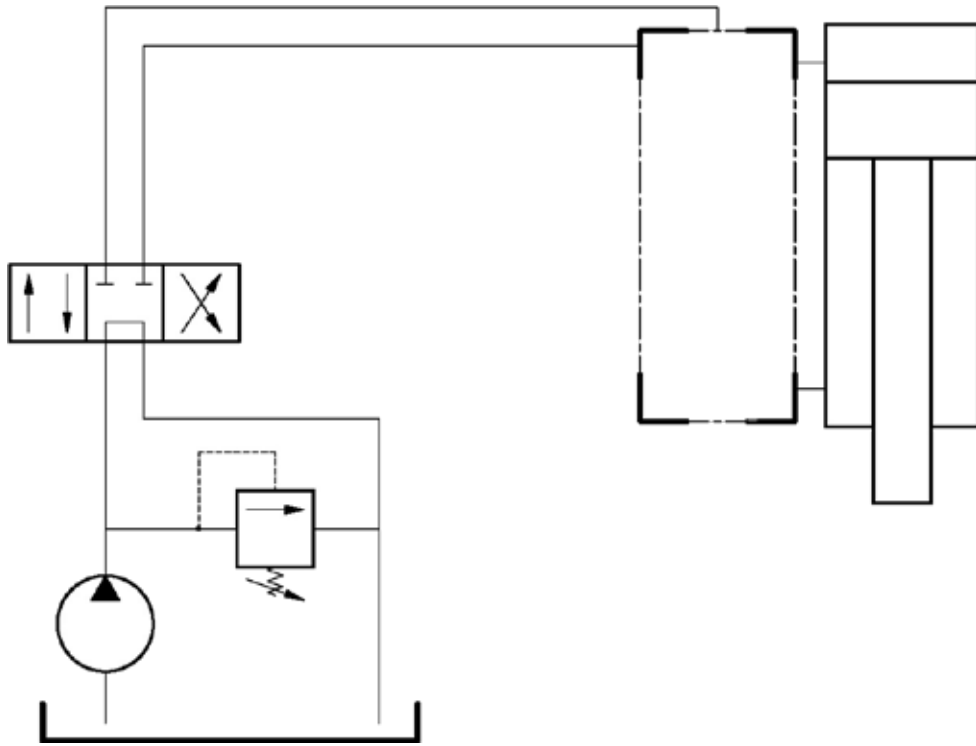
# CYLINDER



## MHP550 Cylinder Parts Illustration

Item	Qty	Description	Part Number
1	1	TUBE ASSEMBLY	519747
1.1	1	TUBE WELD/MACHINE	519748
1.2	1	HEAD MACHINING	519749
1.3	26	SOCKET HEAD CAPSCREW	519751
1.4	2	BEARING MACHINING	519408
1.5	3	SEAL (IN SEAL KIT)	519908
1.6	1	SEAL (IN SEAL KIT)	519908
1.7	1	SEAL (IN SEAL KIT)	519908
1.8	1	SEAL (IN SEAL KIT)	519908
1.9	2	SEAL (IN SEAL KIT)	519908
1.10	2	SEAL (IN SEAL KIT)	519908
1.11	1	RING MACHINING	519409
1.12	1	GREASE ZERK	518203
2	1	CYLINDER ROD ASSEMBLY	519752
2.1	1	ROD MACHINING	519753
2.2	1	PISTON MACHINING	519754
2.3	2	DOWEL MACHINING	518797
2.4	2	BEARING MACHINING	519410
2.5	3	SEAL (IN SEAL KIT)	519908
2.6	1	SEAL (IN SEAL KIT)	519908
2.7	1	SEAL (IN SEAL KIT)	519908
2.8	1	SEAL (IN SEAL KIT)	519908
2.9	1	GREASE ZERK	518203
2.10	1	RING MACHINING	519411

# HYDRAULIC SCHEMATIC



# BLADE KITS

MHP Blade Kits		
Model	Description	Part Number
MHP80	Full blade kit includes all blades, bolts [etc] needed for a blade change.	519225
MHP150		519378
MHP220		518782
MHP300		518782
MHP390		518782
MHP550		518782

# WEAR PART KITS

MHP Wear Kits		
Model	Description	Part Number
MHP80	Full wear kit includes all teeth, bolts [etc] needed to replace the wear items.	519970
MHP150		519971
MHP220		519972
MHP300		519973
MHP390		519631
MHP550		520122

# WEAR PLATE KITS

MHP Wear Plate Kits		
Model	Description	Part Number
MHP80	Replaceable wear plates.	519974
MHP150		519975
MHP220		519977
MHP300		519978
MHP390		519632
MHP550		520123









# LABOUNTY®

Additional copies of this manual are available by contacting your dealer or the LaBounty parts department, and requesting a CE Operation & Maintenance manual. You must include the attachment model number and serial number.