

# COMPANY WRENCH<sup>®</sup>

DEMOLITION ATTACHMENTS



WE ARE DEMOLITION

**TREVI**BENNE<sup>®</sup>

# HC series



*Hydraulic primary demolition crusher: fast, powerful, and compact. Suitable for the controlled demolition of reinforced concrete structures and for precision work at great heights.*



Models	lb.	lb.
<b>HC 02</b>	3,300 : 7,700	450
<b>HC 03</b>	7,700 : 12,100	660
<b>HC 05ND</b>	12,100 : 22,000	1,170
<b>HC 10ND</b>	19,900 : 37,500	2,270
<b>HC 13D</b>	39,700 : 59,500	3,150
<b>HC 15ND</b>	33,000 : 50,700	3,850
<b>HC 20ND</b>	46,300 : 59,500	4,550
<b>HC 25ND</b>	57,300 : 77,200	6,050
<b>HC 33</b>	70,500 : 88,200	6,900
<b>HC 40</b>	83,800 : 114,600	8,300
<b>HC 50</b>	105,800 : 150,000	11,350
<b>HC 60</b>	141,000 : 194,000	14,250
<b>HC 80</b>	185,200 : 242,500	19,400
<b>HC 100</b>	185,200 : 297,500	25,500
<b>HC 120</b>	185,200 : 363,800	26,700
<b>HC 150</b>	286,600 : 485,000	34,400
<b>HC 250</b>	441,000 : 771,800	59,500

# F series



Stationary hydraulic pulverizer for secondary ground demolition. Its profile makes it ideal for walls, floors, and slabs, ensuring operational versatility and immediate separation of rebar.



Models	lb.	lb.
<b>F 04</b>	9,900 : 19,900	1,000
<b>F 07RD</b>	13,250 : 24,250	1,500
<b>F 12RD</b>	26,500 : 41,900	2,750
<b>F 14RRD*</b>	33,000 : 50,700	3,300
<b>F 18RD</b>	37,500 : 59,500	4,400
<b>F 20RRD*</b>	48,500 : 66,150	5,300
<b>F 25RD</b>	52,900 : 77,200	5,800
<b>F 29RRD*</b>	61,750 : 83,800	7,300
<b>F 30RD</b>	70,500 : 114,600	7,600
<b>F 35RRD*</b>	77,200 : 121,300	9,200
<b>F 45RD</b>	94,800 : 154,300	10,000
<b>F 70RD</b>	121,300 : 209,500	13,800

\* Model equipped with continuous hydraulic rotation

# FR series



A single piece of equipment for primary and secondary demolition. The FR rotating pulverizer combines the precision and speed of a crusher with the power and crushing capacity of a demolition pulverizer.



Models	lb.	lb.
<b>FR 03*</b>	6,600 : 17,600	730
<b>FR 05**</b>	11,000 : 22,000	1,250
<b>FR 10</b>	17,600 : 30,900	2,300
<b>FR 13</b>	26,500 : 37,500	3,100
<b>FR 18</b>	33,000 : 50,700	4,150
<b>FR 23</b>	46,300 : 66,150	5,150
<b>FR 28</b>	61,750 : 83,800	6,150
<b>FR 38</b>	75,000 : 116,900	7,900
<b>FR 55</b>	108,000 : 161,000	13,000
<b>FR 75</b>	152,000 : 209,500	17,800
<b>FR 100</b>	176,400 : 275,600	23,400
<b>FR 120</b>	209,500 : 330,800	28,900
<b>FR 200</b>	220,500 : 518,000	47,400

\* Interchangeable plate tooth system  
 \*\* Welded teeth



# MK series



Multifunctional processor with a universal body and quick-release kit attachment system in less than 5 minutes. Available with six demolition kits for maximum operational flexibility and reduced downtime.

Models	lb.	Body
<b>MK 07*</b>	13,250 : 22,000	900
<b>MK 10*</b>	17,600 : 30,900	1,250
<b>MK 13*</b>	24,250 : 44,100	1,750
<b>MK 18</b>	37,500 : 59,500	2,700
<b>MK 23</b>	52,900 : 83,800	3,250
<b>MK 28</b>	72,700 : 105,800	4,450
<b>MK 38</b>	94,800 : 143,300	4,800
<b>MK 55</b>	128,000 : 176,400	7,850
<b>MK 75</b>	158,800 : 242,500	10,850

\* Mechanical version

**Kit FR**  
Pulverizer



**Kit CS**  
Shear



**Kit CB**  
Combination Crusher



**Kit HC**  
Crusher



**Kit CH**  
Steel Cutter



**Kit CL**  
Compact Steel Cutter



Model	lb.	lb.	lb.	lb.	lb.	lb.
<b>MK 07*</b>	550	450	770	550	500	**
<b>MK 10*</b>	900	800	1,000	950	850	**
<b>MK 13*</b>	1,400	1,100	1,300	1,250	1,350	**
<b>MK 18</b>	1,650	1,400	1,650	1,500	1,650	1,250
<b>MK 23</b>	2,400	2,200	2,550	2,300	2,500	2,200
<b>MK 28</b>	3,450	3,150	3,250	3,100	3,550	3,150
<b>MK 38</b>	4,450	3,600	3,900	4,000	**	4,200
<b>MK 55</b>	7,050	5,350	6,350	6,300	**	6,600
<b>MK 75</b>	8,950	7,350	8,600	8,200	**	**

\*\* Available on demand

# MA series



The MA Series Multi Attachment is the ideal tool for any demolition process: from demolishing and crushing concrete structures to cutting rebar and metal profiles. It is available with a combination crusher kit, steel cutter kit and the new model with rail cutter kit.

Models	lb.	Body
<b>MA 15</b>	28,600 : 44,100	1,950
<b>MA 18</b>	35,300 : 55,100	2,950
<b>MA 25</b>	50,700 : 88,200	3,650
<b>MA 35</b>	79,400 : 116,900	5,350
<b>MA 50</b>	116,900 : 150,000	7,850
<b>MA 65</b>	138,900 : 198,500	8,400
<b>MA 130</b>	185,200 : 363,800	19,000



**Kit CB**  
Combination Crusher



**Kit CH**  
Steel Cutter



**Kit RS**  
Rail Cutter



Model	lb.	lb.	lb.
<b>MA 15</b>	950	1,400	**
<b>MA 18</b>	1,250	1,750	**
<b>MA 25</b>	2,250	2,500	1,650
<b>MA 35</b>	2,800	3,250	**
<b>MA 50</b>	4,550	**	**
<b>MA 65</b>	5,400	**	**
<b>MA 130</b>	9,300	**	**

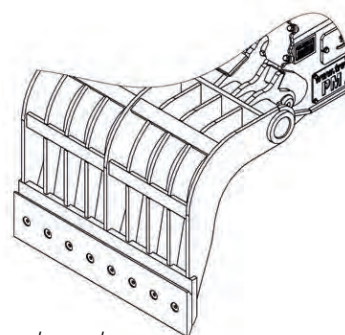
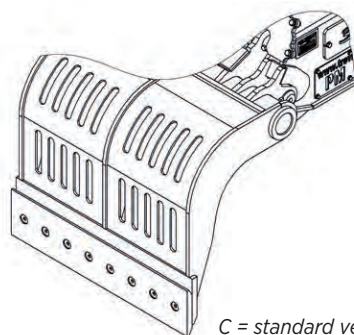
\*\* Available on demand

# PMZ series



Demolition-sorting grab for medium-sized demolitions and for handling and sorting inert materials. Ideal for loading, targeted separation, and waste management on construction sites and landfills.

Models	lb.	kg.
<b>PMZ 02C</b>	4,400 : 8,800	320
<b>PMZ 02S</b>		320
<b>PMZ 03C</b>	6,600 : 11,000	540
<b>PMZ 03S</b>		540
<b>PMZ 05C</b>	7,700 : 13,250	830
<b>PMZ 05S</b>		850
<b>PMZ 08C</b>	9,900 : 22,000	920
<b>PMZ 08S</b>		920
<b>PMZ 09C</b>	18,750 : 35,300	1,740
<b>PMZ 09S</b>		1,790
<b>PMZ 10C</b>	26,500 : 41,900	2,030
<b>PMZ 10S</b>		2,140
<b>PMZ 12C</b>	30,900 : 48,500	2,230
<b>PMZ 12S</b>		2,340
<b>PMZ 15C</b>	35,300 : 64,000	3,300
<b>PMZ 15S</b>		3,440
<b>PMZ 20C</b>	50,700 : 79,400	4,120
<b>PMZ 20S</b>		4,360
<b>PMZ 25C</b>	59,500 : 103,600	5,550
<b>PMZ 25S</b>		5,850
<b>PMZ 30C</b>	75,000 : 114,600	6,550
<b>PMZ 30S</b>		7,300
<b>PMZ 40C</b>	94,800 : 147,700	8,600
<b>PMZ 40S</b>		9,650
<b>PMZ 50C</b>	105,800 : 172,000	9,300
<b>PMZ 50S</b>		10,650





**Carroll, OH Corporate Office**

4805 Scooby Lane, Carroll, OH 43112

Toll-Free: 1-866-262-4181 Phone: 740-654-5304

**Cleveland, OH Branch**

16400 Brookpark Road  
Cleveland, OH 44135  
Phone: 440-439-4567

**Raleigh, NC Branch**

125 Wilson's Mills Road Ext.  
Wilson's Mills, NC 27577  
Phone: 919-938-8145

**Williamstown, NJ Branch**

2636 South Black Horse Pike  
Williamstown, NJ 08094  
Phone: 856-404-9618

**Indianapolis, IN Branch**

1515 West Epler Avenue  
Indianapolis, IN 46217  
Phone: 317-782-8850

**Cincinnati, OH Branch**

920 Deneen Avenue  
Monroe, OH 45050  
Phone: 513-402-7297

**Columbia, SC Branch**

141 Brickyard Road  
Lexington, SC 29072  
Phone: 803-520-0032

**Charlotte, NC Branch**

11301 Reames Road  
Charlotte, NC 28269  
Phone: 980-859-4680

**Jacksonville, FL Branch**

4600 Phillips Highway, Suite 2  
Jacksonville, FL 32207  
Phone: 904-456-1094

**Knoxville, TN Branch**

6325 Central Avenue Pike  
Knoxville, TN 37912  
Phone: 865-766-2571

**Lakeland, FL Branch**

777 Laura Road  
Lakeland, FL 33815  
Phone: 863-937-6829

**Frankfort, KY Branch**

1330 KY-151  
Frankfort, KY 40601  
Phone: 502-699-2681

**West Palm Beach, FL Branch**

1117 53rd Ct N  
West Palm Beach, FL 33407  
Phone: 561-881-1380

**COMPANYWRENCH.COM**